

Y400 JAN 1921  
3/10/21 754 0

FORM 8799  
AUGUST, 1921

# LIST OF PARTS



**MACHINES**  
Nos. 75-1 to 75-7

---

**THE SINGER MANUFACTURING COMPANY**

From the library of: Diamond Needle Corp

COPYRIGHT, U.S.A., 1917 AND 1921, BY THE SINGER MANUFACTURING CO.  
ALL RIGHTS RESERVED FOR ALL COUNTRIES

## INDEX

	PAGE
ACCESSORIES.....	32
FOOT LIFTER PARTS.....	32
IRON BASES.....	31
KNEE LIFTER PARTS.....	33
KNIFE GRINDER.....	33
MACHINE No. 75-1.....	7
"    "    75-2.....	12
"    "    75-3.....	17
"    "    75-4.....	18
"    "    75-5.....	19
"    "    75-6.....	24
"    "    75-7.....	26
NUMERICAL LIST OF PARTS.....	39
OBSOLETE PARTS.....	36
STRIP GUIDE.....	32
THREAD UNWINDERS.....	34

From the library of: Diamond Needle Corp

## INSTRUCTIONS FOR ORDERING

In ordering from this list, use **ONLY** the part NUMBER in the **FIRST** column.

The number stamped on a Sewing Machine part is in every case the number of the single part only.

Every combination of parts sent out as such has its specific number, which, although not stamped on the parts, must be used when ordering the combination.

Each number always indicates the **SAME PART** in whatever list it appears, or for whatever machine.

The letters after some of the numbers indicate the style of finish only, as follows:

- A. Hardened, Polished and Plated.
- B. Polished and Plated
- C. Hardened only.
- D. Polished only.
- E. Soft, not Polished.
- F. Hardened and Polished.
- G.
- H. Blued.
- J. Plated only.
- K. Hardened and Plated.
- L. Brass or Gilt.
- M. Oxidized.
- P. Japanned.
- R. Parkerized

These letters **MUST BE USED** when they appear in the list, and **AFTER** the number as in the list.

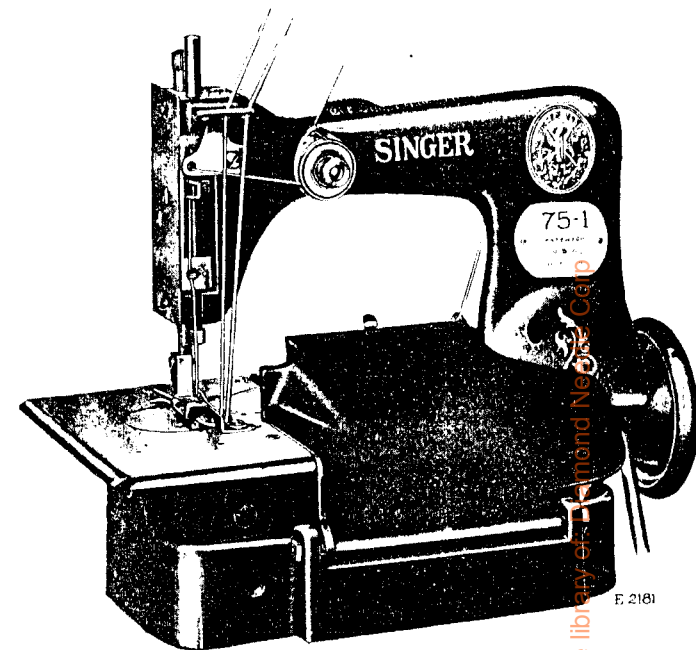
In this series

- 1 to 1500 and 50001 to 51500 are Screw Numbers.
- 1501 to 1800 are Nut Numbers.
- 1801 to 2000 are Roller Numbers.
- 2001 to 50000 and 52001 and upward are numbers of Machine Parts.

The figures in the second column refer only to the plates, illustrating the parts, and are **NOT TO BE USED** in ordering.

Parts marked with an asterisk (\*) are furnished only when repairs are made at factory.

## LIST OF PARTS COMPLETE FOR



## MACHINE No. 75-1

FOR OVEREDGING; ALSO FOR UNITING THE EDGES OF FABRICS BY OVEREDGE STITCHES, INSERTING, ETC.

NO.	PLATE	NAME
*38578	---	Arm, upper and lower (solid) with 38558, 38601 and two 130E.....
34114	3900	Arm Rock Shaft.....
32034	3903	" " " " Crank (back) with 1259c and 1439c.....
1439c	3930	Arm Rock Shaft Crank (back) Position Screw.....
1259c	3903	Arm Rock Shaft Crank (back) Set Screw.....
34116	3903	" " " " (front) with two 1259c.....
1259c	3903	Arm Rock Shaft Crank (front) Position Screw.....

NO.	PLATE	NAME
1259c	3903	Arm Rock Shaft Crank (front) Set Screw
38502	3903	" Rotary Shaft.....
199D	3903	" " " Screw.....
32026	3900	Balance Wheel.....
38556	3901	Cloth Plate for 38563.....
38576	3901	" " " 38577, for knit goods.....
1104F	3918	" " " Screw.....
34433	3930	Connecting Rod with 34434 and two 171E
*34434	—	" " Cap.....
171E	3930	" " " Screw.....
1139c	3903	" " Hinge Screw.....
1520E	3903	" " " " Nut.....
38504	3905	Face Plate with 2827.....
337D	3905	" " " Screw.....
2827	3905	" " Thread Guard with 8505.....
8505	3905	" " " " Rivet.....
38579	3917	Feed Bar with 175F.....
22339	3903	" " Hinge Pin.....
175F	3930	" " " " Clamping Screw.....
38587	3916	" Connecting Rod with 38588 and two 1057E.....
*38588	—	Feed Connecting Rod Cap.....
1057E	3918	" " " " Screw.....
378c	3905	" " " Hinge Screw.....
1520E	3903	" " " " " Nut..
38557	3910	" Dog.....
38505	3910	" " for knit goods.....
190D	3918	" " " Screw.....
*38589	—	" Eccentric.....
*22343	—	" " Body.....
446c	3905	" " " Set Screw.....
38506	3900	" " Cover.....
122E	3918	" " " Screw.....
61171	3930	" " Pressure Spring.....
21332	3905	" " " " Cap.....
934D	3905	" " " " " Screw
196F	3903	" " " Set Screw.....
38590	3916	Feed Eccentric (adjustable) complete, Nos. 196F, 934D, 1103c, 21332, 22343, 38589, 61171 and two 446c.....
22475	3903	Feed Lifting Eccentric with two 453c....
38580	3917	" " " Connection.....
453c	3903	" " " Set Screw.....
1103c	3905	" Regulating Screw.....
34100	3904	" Rock Shaft.....
38585	—	Feed Rock Shaft complete, Nos. 34100 and 38584.....

NO.	PLATE	NAME
38558	3900	Feed Rock Shaft Bracket.....
130E	3918	" " " " Screw.....
38584	3917	" " " Crank with 172E.....
172E	3904	" " " " Clamping Screw..
307c	3904	" " " Screw Centre.....
1513J	3904	" " " " " Nut.....
38559	3905	Guide.....
207F	3903	" Screw.....
7071	3905	" " Washer.....
38518	3906	Looper.....
38600	3923	" Carrier.....
*38601	—	" " Bracket.....
130E	3918	" " " Screw.....
38521	3906	" " Cover.....
241D	3906	" " " Screw.....
38522	3906	" " Crank.....
35F	3906	" " " Hinge Screw.....
38639	3927	" " " Pitman.....
1320c	3927	" " " " Hinge Screw
38602	3923	" " Hinge Pin.....
1513J	3904	" " " " Nut.....
1295c	3923	" " " " Screw Bearing..
1513J	3904	" " " " " Nut
38640	3927	" " Pitman.....
38693	—	" " Crank (double) with 454c.....
38525	3906	Looper Carrier Pitman Crank (double) 38693 with 50033E.....
50033E	3930	Looper Carrier Pitman Crank Position Screw.....
454c	3906	Looper Carrier Pitman Crank Set Screw..
378c	3905	" " " Hinge Screw.....
1520E	3903	" " " " " Nut..
38526	3906	" Crank with 1279c.....
1279c	3906	" " Set Screw.....
38527	3906	" " Slide Block.....
38528	3901	" Driving Shaft with 453c and 797E
797E	3904	" " " Position Screw.....
453c	3903	" " " Set Screw.....
38529	3906	" Rock Shaft.....
38692	3923	" " Crank with 1036c and 1037c.....
38603	—	Looper Rock Shaft Crank 38692 with 1265c and 1519E.....
1265c	3904	Looper Rock Shaft Crank Ball Joint Screw
1519E	3904	" " " " " " " "
		Nut.....

NO.	PLATE	NAME
38641	3930	Looper Rock Shaft Crank Connection with 38642, 38643 and two each 196E and 896E
38689	---	Looper Rock Shaft Crank Connection 38641 with 1265c
*38642	---	Looper Rock Shaft Crank Connection Cap (lower)
196E	3903	Looper Rock Shaft Crank Connection Cap (lower) Screw
*38643	---	Looper Rock Shaft Crank Connection Cap (upper)
896E	3904	Looper Rock Shaft Crank Connection Cap (upper) Screw
1037c	3923	Looper Rock Shaft Crank Position Screw
1036c	3923	" " " " Set Screw
38534	3907	Needle Bar (hollow)
34170	3907	" " Connecting Link with two 1313E
1313E	3907	Needle Bar Connecting Link Adjusting Screw
38535	3907	Needle Bar Connecting Stud with 391E
391E	3907	" " " " Clamping Screw
38536	3907	Needle Bar Thread Retaining Spring
664D	3907	" " " " " Screw
1629c	3907	" Clamping Nut
38537	3907	" Guard
207F	3903	" " Screw
34103	3907	Presser Bar
38538	3907	" " Guide Bracket with 400c and 453c
400c	3907	Presser Bar Guide Bracket Adjusting Screw
38539	3907	Presser Bar Guide Bracket Guide
185H	3907	" " " " " Screw
453c	3903	" " " " Set Screw
38540	3907	" " Lifter
85E	3907	" " Screw
9534	3907	" " Spring
22405	3907	" " Washer
38560	3914	" Foot with 233D and 38561
38561	3914	" " Chaining-off Finger
233D	3914	" " " " " Screw
185H	3907	" " Screw
1121D	3907	Pressure Regulating Thumb Screw
32027	3900	Pulley, 2 in. diam.
1167D	3918	" Screw
2102	3908	Tension (looper thread) Disc

NO.	PLATE	NAME
1560c	3908	Tension (looper thread) Regulating Thumb Nut
916c	3908	Tension (looper thread) Screw Stud
10148	3908	" " " Spring
17547	3908	" " " Thread Guide
2102	3908	" (needle thread) Disc
1560c	3908	" " " Regulating Thumb Nut
916c	3908	Tension (needle thread) Screw Stud
8238	3908	" " " Spring
17547	3908	" " " Thread Guide
38546	3908	Thread (looper) Eyelet (double)
335D	3908	" " " Screw
38547	3908	" " Retaining Spring
664D	3907	" " " " Screw
38548	3908	" " Take-up
38562	3908	" (needle) Eyelet and Cord Guide
217F	3908	" " " " " Screw
38563	3910	Throat Plate for 38557
38577	3910	" " " 38505, for knit goods
244F	3918	" " Screw

**LIST OF PARTS COMPLETE  
FOR  
MACHINE No. 75-2**

**TWO-THREAD CHAIN STITCH FOR TRIMMING AND  
OVEREDGING KNIT GOODS.**

NO.	PLATE	NAME
*38653	—	Arm, upper and lower (solid) with 38601, 38608 and two 130E .....
34114	3900	Arm Rock Shaft .....
32034	3903	" " " Crank (back) with 1259c and 1439c .....
1439c	3930	Arm Rock Shaft Crank (back) Position Screw .....
1259c	3903	Arm Rock Shaft Crank (back) Set Screw .....
34116	3903	" " " " (front) with two 1259c .....
1259c	3903	Arm Rock Shaft Crank (front) Position Screw .....
1259c	3903	Arm Rock Shaft Crank (front) Set Screw .....
38502	3903	" Rotary Shaft .....
199d	3903	" " " Screw .....
32026	3900	Balance Wheel .....
38503	3902	Cloth Plate .....
1104f	3918	" " " Screw .....
34433	3930	Connecting Rod with 34434 and two 171E .....
*34434	—	" " " Cap .....
171E	3930	" " " Screw .....
1139c	3903	" " " Hinge Screw .....
1520E	3903	" " " " Nut .....
38504	3905	Face Plate with 2827 .....
337d	3905	" " " Screw .....
2827	3905	" " " Thread Guard with 8505 .....
8505	3905	" " " " Rivet .....
38579	3917	Feed Bar with 175F .....
22339	3903	" " " Hinge Pin .....
175F	3930	" " " " Clamping Screw .....
38587	3916	" Connecting Rod with 38588 and two 1057E .....
*38588	—	Feed Connecting Rod Cap .....
1057E	3918	" " " " Screw .....
378c	3905	" " " " Hinge Screw .....
1520E	3903	" " " " " Nut .....
38505	3910	" Dog, for knit goods .....

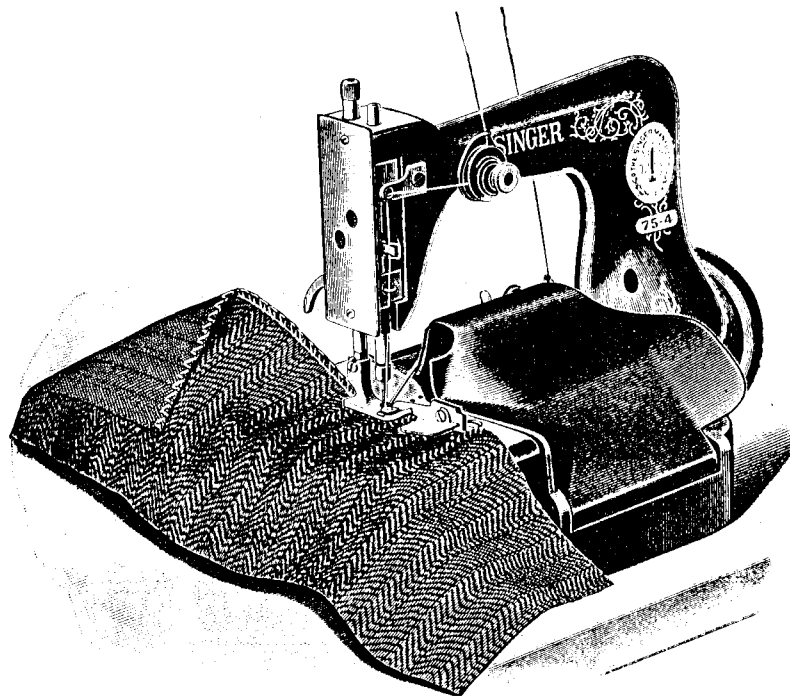
NO.	PLATE	NAME
190d	3918	Feed Dog Screw .....
*38589	—	" Eccentric .....
*22343	—	" " " Body .....
446c	3905	" " " Set Screw .....
38607	3926	" " " Cover .....
122E	3918	" " " " Screw .....
61171	3930	" " " Pressure Spring .....
21332	3905	" " " " " Cap .....
934d	3905	" " " " " " Screw .....
196F	3903	" " " Set Screw .....
38590	3916	Feed Eccentric (adjustable) complete, Nos. 196F, 934d, 1103c, 21332, 22343, 38589, 61171 and two 446c .....
38507	3909	Feed Lifting Eccentric with two 465c .....
38580	3917	" " " " Connection .....
465c	3909	" " " " Set Screw .....
1103c	3905	" Regulating Screw .....
34100	3904	" Rock Shaft .....
38585	—	Feed Rock Shaft complete, Nos. 34100 and 38584 .....
38608	3926	Feed Rock Shaft Bracket .....
130E	3918	" " " " " Screw .....
38584	3917	" " " " Crank with 172E .....
172E	3904	" " " " " Clamping Screw .....
307c	3904	" " " " " Screw Centre .....
1513j	3904	" " " " " Nut .....
38509	3909	Knife (movable) .....
38609	3928	" " " Holder .....
1520E	3903	" " " " Nut .....
38610	3926	" " " Lever .....
38512	3909	" " " " Connection with 794E and 1012E .....
794E	3905	Knife (movable) Lever Connection Adjusting Screw (eccentric end) .....
1012E	3909	Knife (movable) Lever Connection Adjusting Screw (hinge screw end) .....
1316c	3928	Knife (movable) Lever Connection Hinge Screw .....
1655c	3909	Knife (movable) Lever Connection Hinge Screw Nut .....
38612	3928	Knife (movable) Lever Hinge Pin .....
1513j	3904	" " " " " " Nut .....
1295c	3923	" " " " " " Screw .....
		Bearing .....
1513j	3904	Knife (movable) Lever Hinge Pin Screw Bearing Nut .....
38613	3928	Knife (movable) Lever Spring .....

NO.	PLATE	NAME
197F	3909	Knife (movable) Screw
38513	3909	" (stationary)
38514	3909	" " Clamp
391F	3907	" " " Screw
38515	3909	" " Holder
38516	—	Knife (stationary) Holder complete, Nos. 391F, 38514, 38515, 38517 and two 12152
38517	3909	Knife (stationary) Holder Guard
12152	3909	" " " Rivet
914F	3909	" " " Screw
38518	3906	Looper
38600	3923	" Carrier
*38601	—	" " Bracket
130E	3918	" " " Screw
38521	3906	" " Cover
241D	3906	" " " Screw
38522	3906	" " Crank
35F	3906	" " " Hinge Screw
38639	3927	" " " Pitman
1320c	39-7	" " " " Hinge Screw
38602	3923	" " " Hinge Pin
1513J	3904	" " " " Nut
1295c	3923	" " " " Screw Bearing
1513J	3904	" " " " " " " "
		Nut
38640	3927	Looper Carrier Pitman
38693	—	" " " Crank (double) with 454c
38525	3906	Looper Carrier Pitman Crank (double) 38693 with 50033E
50033E	3930	Looper Carrier Pitman Crank Position Screw
454c	3906	Looper Carrier Pitman Crank Set Screw
378c	3905	" " " Hinge Screw
1520E	3903	" " " " " Nut
38526	3906	" Crank with 1279c
1279c	3906	" " Set Screw
38527	3906	" " Slide Block
38528	3904	" Driving Shaft with 453c and 797E
797E	3904	" " " Position Screw
453c	3903	" " " Set Screw
38529	3906	" Rock Shaft
38692	3923	" " " Crank with 1036c and 1037c
38603	—	Looper Rock Shaft Crank 38692 with 1265c and 1519E
1265c	3904	Looper Rock Shaft Crank Ball Joint Screw

NO.	PLATE	NAME
1519E	3904	Looper Rock Shaft Crank Ball Joint Screw Nut
38641	3930	Looper Rock Shaft Crank Connection with 38642, 38643 and two each 196E and 896E
38689	—	Looper Rock Shaft Crank Connection 38641 with 1265c
*38642	—	Looper Rock Shaft Crank Connection Cap (lower)
196E	3903	Looper Rock Shaft Crank Connection Cap (lower) Screw
*38643	—	Looper Rock Shaft Crank Connection Cap (upper)
896E	3904	Looper Rock Shaft Crank Connection Cap (upper) Screw
1037c	3923	Looper Rock Shaft Crank Position Screw
1036c	3923	" " " " Set Screw
38534	3907	Needle Bar (hollow)
34170	3907	" " Connecting Link with two 1313E
1313E	3907	Needle Bar Connecting Link Adjusting Screw
38535	3907	Needle Bar Connecting Stud with 391E
391E	3907	" " " " Clamping Screw
38536	3907	Needle Bar Thread Retaining Spring
664D	3907	" " " " " Screw
1629c	3907	" Clamping Nut
38537	3907	" Guard
207F	3903	" " Screw
34103	3907	Presser Bar
38538	3907	" " Guide Bracket with 400c and 453c
400c	3907	Presser Bar Guide Bracket Adjusting Screw
38539	3907	Presser Bar Guide Bracket Guide
185H	3907	" " " " " Screw
453c	3903	" " " " Set Screw
38540	3907	" " Lifter
85E	3907	" " " Screw
9534	3907	" " Spring
22405	3907	" " Washer
38541	3914	" Foot Body
38542	3914	" " Chaining-off Finger
233D	3914	" " " " " Screw
38543	3914	" " Extension
335D	3914	" " " " " Screw







## MACHINE No. 75-4

FOR SERGING PANTS AND OTHER CUT EDGES OF CLOTH,  
HAS GUIDE ADJUSTABLE FOR DIFFERENT THICK-  
NESSES. KNEE LIFTER.

This Machine is the same as 75-1 with the  
following exceptions:

NO.	PLATE	NAME
38570	3911	Feed Dog, in place of 38505 and 38557.
38571	3916	Guide with 230n and 38572, in place of 38559.
38572	3916	Guide Smoothing Plate.
	230H 3916	" " " Screw.
38573	3914	Presser Foot with 233d and 38574, in place of 38560.
38574	3914	Presser Foot Chaining-off Finger, in place of 38561.
38575	3911	Throat Plate for 38570, in place of 38563 or 38577.

## LIST OF PARTS COMPLETE FOR MACHINE No. 75-5

FOR FLANNELS AND LIGHT FABRICS. TRIMS AND OVER-  
EDGES FABRICS AND AT THE SAME TIME LAYS ONE OR  
MORE CORDS UNDER THE OVEREDGE STITCHES.

NO.	PLATE	NAME
*38653	---	Arm, upper and lower (solid) with 38601, 38608 and two 130E.
34114	3900	Arm Rock Shaft.
32034	3903	" " " Crank (back) with 1259c and 1439c.
1439c	3930	Arm Rock Shaft Crank (back) Position Screw.
1259c	3903	Arm Rock Shaft Crank (back) Set Screw.
34116	3903	" " " " (front) with 1259c.
1259c	3903	Arm Rock Shaft Crank (front) Position Screw.
1259c	3903	Arm Rock Shaft Crank (front) Set Screw.
38502	3903	" Rotary Shaft.
199D	3903	" " " Screw.
32026	3900	Balance Wheel.
38604	3925	Cloth Plate.
38605	3927	" " Bracket.
157E	3927	" " " Screw (lower).
691F	3927	" " " " (upper).
1104F	3918	" " " Screw.
34433	3930	Connecting Rod with 34434 and two 171E.
*34434	---	" " Cap.
171E	3930	" " " Screw.
1139c	3903	" " Hinge Screw.
1520E	3903	" " " " Nut.
38504	3905	Face Plate with 2827.
237D	3905	" " " Screw.
2827	3905	" " Thread Guard with 8505.
8505	3905	" " " " Rivet.
38579	3917	Feed Bar with 175E.
22339	3903	" " Hinge Pin.
175E	3930	" " " " Clamping Screw.
38587	3916	" Connecting Rod with 38588 and two 1057E.
*38588	---	Feed Connecting Rod Cap.
1057E	3918	" " " " Screw.

NO.	PLATE	NAME
378c	3905	Feed Connecting Rod Hinge Screw.....
1520E	3903	" " " " " Nut
38606	3912	" Dog.....
190D	3918	" " Screw.....
*38589	—	" Eccentric.....
*22343	—	" " Body.....
446c	3905	" " " Set Screw.....
38607	3926	" " Cover.....
122E	3918	" " " Screw.....
61171	3930	" " Pressure Spring.....
21332	3905	" " " " Cap.....
934D	3905	" " " " " Screw
196F	3903	" " " Set Screw.....
38590	3916	Feed Eccentric (adjustable) complete, Nos. 196E, 934D, 1103c, 21332, 22343, 38589, 61171 and two 446c.....
38507	3909	Feed Lifting Eccentric with two 465c....
38580	3917	" " " Connection.....
465c	3909	" " " Set Screw.....
1103c	3905	" Regulating Screw.....
34100	3904	" Rock Shaft.....
38585	—	Feed Rock Shaft complete, Nos. 34100 and 38584.....
38608	3926	Feed Rock Shaft Bracket.....
130E	3918	" " " " Screw.....
38584	3917	" " " Crank with 172E.....
172E	3904	" " " " Clamping Screw
307E	3904	" " " " Screw Centre.....
1513J	3904	" " " " " Nut.....
38592	3916	Knife (movable).....
38609	3928	" " Holder.....
1520E	3903	" " " Nut.....
38610	3926	" " Lever.....
38512	3909	" " " Connection with 794E and 1012E.....
794E	3905	Knife (movable) Lever Connection Ad- justing Screw (eccentric end).....
1012E	3909	Knife (movable) Lever Connection Ad- justing Screw (hinge screw end).....
1316c	3928	Knife (movable) Lever Connection Hinge Screw.....
1655c	3909	Knife (movable) Lever Connection Hinge Screw Nut.....
38664	3931	Knife (movable) Lever Cover.....
38611	3926	Knife (movable) Lever Cover complete, Nos. 38627, 38664 and two 240D.....
38627	3927	Knife (movable) Lever Cover Extension....

NO.	PLATE	NAME
240D	3927	Knife (movable) Lever Cover Extension Screw.....
240D	3927	Knife (movable) Lever Cover Screw.....
38612	3928	" " " Hinge Pin.....
1513J	3904	" " " " " Nut.....
1295c	3923	" " " " " Screw Bearing.....
1513J	3904	Knife (movable) Lever Hinge Pin Screw Bearing Nut.....
38613	3928	Knife (movable) Lever Spring.....
197F	3909	" " " Screw.....
38513	3909	" (stationary).....
399F	3928	" " Clamping Screw.....
38614	3928	" " Holder.....
1317D	3928	" " " Adjusting Thumb Screw.....
190D	3918	Knife (stationary) Holder Adjusting Thumb Screw Clamping Screw.....
38615	3928	Knife (stationary) Holder Plate.....
399F	3928	" " " " " Screw.....
1048F	3906	" " " " " Screw.....
38616	3928	" " " " " Washer.....
38518	3906	Looper.....
38600	3923	" Carrier.....
*38601	—	" " Bracket.....
130E	3918	" " " " " Screw.....
38522	3906	" " Crank.....
35F	3906	" " " Hinge Screw.....
38639	3927	" " " Pitman.....
1320c	3927	" " " " Hinge Screw
38602	3923	" " Hinge Pin.....
1513J	3904	" " " " " Nut.....
1295c	3923	" " " " " Screw Bearing
1513J	3904	" " " " " " " " " " " Nut.....
38640	3927	Looper Carrier Pitman.....
38693	—	" " " Crank (double) with 454c.....
38525	3906	Looper Carrier Pitman Crank (double) 38693 with 50033E.....
50033E	3930	Looper Carrier Pitman Crank Position Screw.....
454c	3906	Looper Carrier Pitman Crank Set Screw....
378c	3905	" " " " Hinge Screw.....
1520E	3903	" " " " " Nut.....
38526	3906	" Crank with 1279c.....
1279c	3906	" " Set Screw.....

NO.	PLATE	NAME
38527	3906	Looper Crank Slide Block .....
38528	3904	“ Driving Shaft with 453c and 797E.
797E	3904	“ “ “ Position Screw .....
453C	3903	“ “ “ Set Screw .....
38529	3906	“ Rock Shaft .....
38692	3923	“ “ “ Crank with 1036c and 1037c .....
38603	—	Looper Rock Shaft Crank 38692 with 1265c and 1519E .....
1265c	3904	Looper Rock Shaft Crank Ball Joint Screw
1519E	3904	“ “ “ “ “ “ “ “ Nut .....
38641	3930	Looper Rock Shaft Crank Connection with 38642, 38643 and two each 196E and 896E .....
*38689	—	Looper Rock Shaft Crank Connection 38641 with 1265c .....
*38642	—	Looper Rock Shaft Crank Connection Cap (lower) .....
196E	3903	Looper Rock Shaft Crank Connection Cap (lower) Screw .....
*38643	—	Looper Rock Shaft Crank Connection Cap (upper) .....
896E	3904	Looper Rock Shaft Crank Connection Cap (upper) Screw .....
1037c	3923	Looper Rock Shaft Crank Position Screw .....
1036c	3923	“ “ “ “ Set Screw .....
38534	3907	Needle Bar (hollow) .....
34170	3907	“ “ Connecting Link with two 1313E .....
1313E	3907	Needle Bar Connecting Link Adjusting Screw .....
38535	3907	Needle Bar Connecting Stud with 391E .....
391E	3907	“ “ “ “ Clamping Screw .....
38536	3907	Needle Bar Thread Retaining Spring .....
664D	3907	“ “ “ “ “ Screw .....
1629c	3907	“ Clamping Nut .....
38537	3907	“ Guard .....
207F	3903	“ “ Screw .....
34103	3907	Presser Bar .....
38538	3907	“ “ Guide Bracket with 400c and 453c .....
400c	3907	Presser Bar Guide Bracket Adjusting Screw .....
38539	3907	Presser Bar Guide Bracket Guide .....
185H	3907	“ “ “ “ “ Screw .....

NO.	PLATE	NAME
453c	3903	Presser Bar Guide Bracket Set Screw .....
38540	3907	“ “ Lifter .....
85E	3907	“ “ “ Screw .....
9534	3907	“ “ Spring .....
22405	3907	“ “ “ Washer .....
38618	—	“ Foot Body .....
38619	3929	“ “ Chaining-off Finger .....
233D	3914	“ “ “ “ “ Screw .....
38620	3928	“ “ Guard .....
38621	3929	Presser Foot complete, Nos. 233D, 38618 and 38619 .....
185H	3907	Presser Foot Screw .....
1121D	3907	Pressure Regulating Thumb Screw .....
32027	3900	Pulley, 2 in. diam .....
1167D	3918	“ Screw .....
38622	3927	Tension Bracket .....
2102	3908	“ (cord) Disc .....
1560c	3908	“ “ Regulating Thumb Nut .....
916c	3908	“ “ Screw Stud .....
1547J	3918	“ “ “ “ Nut .....
10148	3908	“ “ Spring .....
2102	3908	“ (looper thread) Disc .....
1560c	3908	“ “ “ Regulating Thumb Nut .....
916c	3908	Tension (looper thread) Screw Stud .....
10148	3908	“ “ “ Spring .....
17547	3908	“ “ “ Thread Guide .....
2102	3908	“ (needle thread) Disc .....
1560c	3908	“ “ “ Regulating Thumb Nut .....
916c	3908	Tension (needle thread) Screw Stud .....
8238	3908	“ “ “ Spring .....
38546	3908	Thread (looper) Eyelet (double) .....
335D	3908	“ “ “ Screw .....
38547	3908	“ “ Retaining Spring .....
664D	3907	“ “ “ “ Screw .....
38548	3908	“ “ Take-up .....
38562	3908	“ (needle) Eyelet and Cord Guide .....
217F	3908	“ “ “ “ “ “ Screw .....
38623	3912	Throat Plate for 38606 .....
244F	3918	“ “ Screw .....

## MACHINE No. 75-6

**TWO-THREAD CHAIN STITCH, FOR TRIMMING AND OVER-EDGING FABRICS. HAS SPECIAL FEEDING MECHANISM FOR KNIT GOODS.**

**This Machine is the same as 75-5 with the following exceptions:**

NO	PLATE	NAME
38628	3925	Cloth Plate, in place of 38604.....
38629	3912	Feed Dog (back).....
38630	3928	" " " Lever.....
38631	—	" " " " Connection (lever end).....
38632	—	Feed Dog (back) Lever Connection (rock shaft end).....
38633	3928	Feed Dog (back) Lever Connection complete, Nos. 203c, 38631 and 38632.....
203c	3928	Feed Dog (back) Lever Connection Adjusting Screw.....
26c	3928	Feed Dog (back) Lever Connection Hinge Screw.....
38634	3928	Feed Dog (back) Lever Connection Hinge Screw Locking Plate.....
38635	3928	Feed Dog (back) Lever Connection Hinge Screw Washer.....
1048c	3906	Feed Dog (back) Lever Hinge Screw.....
38636	3912	" " (front) in place of 38606.....
190d	3918	" " " Screw.....
38637	3928	" Rock Shaft, in place of 34100.....
38638	—	Feed Rock Shaft complete, Nos. 38584 and 38637, in place of 38585.....
38652	3926	Knife (movable) Lever Cover, in place of 38611.....
38644	3928	Presser Bar Stop Collar with 1313e.....
1313e	3907	" " " " Clamping Screw.....
38645	3928	" " " " Washer (rawhide).....
38542	3914	" Foot Chaining-off Finger, in place of 38619.....
38544	3914	Presser Foot Guard, in place of 38620.....
665d	3914	" " " Screw.....
26276	3929	" " Hinge Pin.....
38646	—	" " Plate.....
38647	—	" " Shank.....

NO.	PLATE	NAME
38648	3929	Presser Foot Spring.....
457c	3929	" " " Adjusting Screw.....
38649	3929	Presser Foot (spring hinged) complete, Nos. 233d, 457c, 665d, 26276, 38542, 38544 and 38646 to 38648, in place of 38621.....
17547	3908	Tension (needle thread) Thread Guide, in place of 38622.....
38549	3909	Thread (needle) Eyelet, in place of 38562.....
217f	3908	" " " Screw.....
38650	3912	Throat Plate for 38629 and 38636, in place of 38623.....
38651	3927	Throat Plate Guard.....
662b	3914	" " " Screw.....

**LIST OF PARTS COMPLETE  
FOR  
MACHINE No. 75-7**

**FOR TRIMMING AND BLIND STITCH HEMMING KNIT  
UNDERWEAR, HOSIERY, ETC.**

NO.	PLATE	NAME
*38653	—	Arm, upper and lower (solid) with 38601, 38608 and two 130E.....
34114	3900	Arm Rock Shaft.....
32034	3903	“ “ Crank (back) with 1259c and 1439c.....
1439c	3930	Arm Rock Shaft Crank (back) Position Screw.....
1259c	3903	Arm Rock Shaft Crank (back) Set Screw.....
34116	3903	“ “ “ “ (front) with two 1259c.....
1259c	3903	Arm Rock Shaft Crank (front) Position Screw.....
1259c	3903	Arm Rock Shaft Crank (front) Set Screw.....
38502	3903	“ Rotary Shaft.....
199D	3903	“ “ “ Screw.....
32026	3900	Balance Wheel.....
38656	3930	Chaining-off Finger.....
38657	3930	“ “ “ Bracket.....
185H	3907	“ “ “ “ Screw.....
93F	3930	“ “ “ Hinge Screw.....
38658	3930	“ “ “ Spring.....
1281F	3930	“ “ “ “ Screw.....
910c	3930	“ “ “ Stop Screw.....
1695D	3930	“ “ “ “ Nut.....
38659	—	Chaining-off Finger complete, Nos. 93F, 910c, 1281F, 1695D and 38656 to 38658.....
38660	3931	Cloth Plate.....
38605	3927	“ “ Bracket.....
157E	3927	“ “ “ Screw (lower).....
691F	3927	“ “ “ “ (upper).....
1104F	3918	“ “ “ Screw.....
34433	3930	Connecting Rod with 34434 and two 171E.....
*34434	—	“ “ Cap.....
171E	3930	“ “ “ Screw.....
1139c	3903	“ “ Hinge Screw.....
1520E	3903	“ “ “ Nut.....
38504	3905	Face Plate with 2827.....

NO.	PLATE	NAME
337D	3905	Face Plate Screw.....
2827	3905	“ “ Thread Guard with 8505.....
8505	3905	“ “ “ “ Rivet.....
38579	3917	Feed Bar with 175F.....
22339	3903	“ “ Hinge Pin.....
175F	3930	“ “ “ “ Clamping Screw.....
38587	3916	“ Connecting Rod with 38588 and two 1057E.....
*38588	—	Feed Connecting Rod Cap.....
1057E	3918	“ “ “ “ Screw.....
378c	3905	“ “ “ Hinge Screw.....
1520E	3903	“ “ “ “ Nut.....
38661	3932	“ Dog (back).....
38630	3928	“ “ “ Lever.....
38631	—	“ “ “ “ Connection (lever end).....
38632	—	Feed Dog (back) Lever Connection (rock shaft end).....
38633	3928	Feed Dog (back) Lever Connection complete, Nos. 203c, 38631 and 38632.....
203c	3928	Feed Dog (back) Lever Connection Adjusting Screw.....
26c	3928	Feed Dog (back) Lever Connection Hinge Screw.....
38634	3928	Feed Dog (back) Lever Connection Hinge Screw Locking Plate.....
38635	3928	Feed Dog (back) Lever Connection Hinge Screw Washer.....
1048c	3906	Feed Dog (back) Lever Hinge Screw.....
38662	3932	“ “ (front).....
190D	3918	“ “ “ Screw.....
*38589	—	“ Eccentric.....
*22343	—	“ “ Body.....
446c	3905	“ “ “ Set Screw.....
38607	3926	“ “ Cover.....
122E	3918	“ “ “ Screw.....
61171	3930	“ “ Pressure Spring.....
21332	3905	“ “ “ “ Cap.....
934D	3905	“ “ “ “ “ Screw.....
196F	3903	“ “ “ Set Screw.....
38590	3916	Feed Eccentric (adjustable) complete, Nos. 196F, 934D, 1103c, 21332, 22343, 38589, 61171 and two 446c.....
38507	3909	Feed Lifting Eccentric with two 465c.....
38580	3917	“ “ “ Connection.....
465c	3909	“ “ “ Set Screw.....
1103c	3905	“ Regulating Screw.....

NO.	PLATE	NAME
38637	3928	Feed Rock Shaft.....
38638	—	Feed Rock Shaft complete, Nos. 38584 and 38637.....
38608	3926	Feed Rock Shaft Bracket.....
130E	3918	“ “ “ “ Screw.....
38584	3917	“ “ “ Crank with 172E.....
172E	3904	“ “ “ “ Clamping Screw.....
307C	3904	“ “ “ Screw Centre.....
1513J	3904	“ “ “ “ “ Nut.....
38663	3930	Knife (movable).....
38609	3928	“ “ Holder.....
1520E	3903	“ “ “ Nut.....
38610	3926	“ “ Lever.....
38512	3909	“ “ “ Connection with 794E and 1012E.....
794E	3905	Knife (movable) Lever Connection Adjusting Screw (eccentric end).....
1012E	3909	Knife (movable) Lever Connection Adjusting Screw (hinge screw end).....
1316C	3928	Knife (movable) Lever Connection Hinge Screw.....
1655C	3909	Knife (movable) Lever Connection Hinge Screw Nut.....
38664	3931	Knife (movable) Lever Cover.....
240D	3927	“ “ “ “ Screw.....
38612	3928	“ “ “ Hinge Pin.....
1513J	3904	“ “ “ “ “ Nut.....
1295C	3923	“ “ “ “ “ Screw Bearing.....
1513J	3904	Knife (movable) Lever Hinge Pin Screw Bearing Nut.....
38613	3928	Knife (movable) Lever Spring.....
197F	3909	“ “ Screw.....
38665	3930	“ (stationary).....
399F	3928	“ “ Clamping Screw.....
38681	3930	“ “ Holder.....
1317D	3928	“ “ “ Adjusting Thumb Screw.....
190D	3918	Knife (stationary) Holder Adjusting Thumb Screw Clamping Screw.....
38666	3930	Knife (stationary) Holder Plate.....
399F	3928	“ “ “ “ Screw.....
1048F	3906	“ “ “ “ Screw.....
38616	3928	“ “ “ “ Washer.....
38518	3906	Looper.....
38660	3923	“ Carrier.....
*38601	—	“ “ Bracket.....

NO.	PLATE	NAME
130E	3918	Looper Carrier Bracket Screw.....
38522	3906	“ “ Crank.....
35F	3906	“ “ “ Hinge Screw.....
38639	3927	“ “ “ Pitman.....
1320C	3927	“ “ “ “ Hinge Screw.....
38602	3923	“ “ Hinge Pin.....
1513J	3904	“ “ “ “ Nut.....
1295C	3923	“ “ “ “ Screw Bearing.....
1513J	3904	“ “ “ “ “ Nut.....
38640	3927	“ “ Pitman.....
38693	—	“ “ “ Crank (double) with 454C.....
38525	3906	Looper Carrier Pitman Crank (double) 38693 with 50033E.....
50033E	3930	Looper Carrier Pitman Crank Position Screw.....
454C	3906	Looper Carrier Pitman Crank Set Screw.....
378C	3905	“ “ “ Hinge Screw.....
1520E	3903	“ “ “ “ “ Nut.....
38526	3906	“ Crank with 1279C.....
1279C	3906	“ “ Set Screw.....
38527	3906	“ “ Slide Block.....
38528	3904	“ Driving Shaft with 453C and 797E.....
797E	3904	“ “ “ Position Screw.....
453C	3903	“ “ “ Set Screw.....
38529	3906	“ Rock Shaft.....
38692	3923	“ “ “ Crank with 1036C and 1037C.....
38603	—	Looper Rock Shaft Crank 38692 with 1265C and 1519E.....
1265C	3904	Looper Rock Shaft Crank Ball Joint Screw.....
1519E	3904	“ “ “ “ “ “ “ “ Nut.....
38641	3930	Looper Rock Shaft Crank Connection with 38642, 38643 and two each 196E and 896E.....
38689	—	Looper Rock Shaft Crank Connection 38641 with 1265C.....
*38642	—	Looper Rock Shaft Crank Connection Cap (lower).....
196E	3903	Looper Rock Shaft Crank Connection Cap (lower) Screw.....
38643	—	Looper Rock Shaft Crank Connection Cap (upper).....
896E	3904	Looper Rock Shaft Crank Connection Cap (upper) Screw.....
1037C	3923	Looper Rock Shaft Crank Position Screw.....
1036C	3923	“ “ “ “ Set Screw.....

From the library of: Diamond Needle Corp.

NO.	PLATE	NAME
38534	3907	Needle Bar (hollow).....
34170	3907	“ “ Connecting Link with two 1313E.....
1313E	3907	Needle Bar Connecting Link Adjusting Screw.....
38535	3907	Needle Bar Connecting Stud with 391E....
391E	3907	“ “ “ “ Clamping Screw.....
38536	3907	Needle Bar Thread Retaining Spring....
664D	3907	“ “ “ “ “ Screw
1629C	3907	“ Clamping Nut.....
38537	3907	“ Guard.....
207F	3903	“ “ Screw.....
34103	3907	Presser Bar.....
38538	3907	“ “ Guide Bracket with 400c and 453c.....
400c	3907	Presser Bar Guide Bracket Adjusting Screw.....
38539	3907	Presser Bar Guide Bracket Guide.....
185H	3907	“ “ “ “ “ Screw...
453c	3903	“ “ “ “ Set Screw....
38667	3930	“ “ Lifter.....
85E	3907	“ “ “ Screw.....
9534	3907	“ “ Spring.....
22405	3907	“ “ “ Washer.....
38644	3928	“ “ Stop Collar with 1313E.....
1313E	3907	“ “ “ “ Clamping Screw..
38645	3928	“ “ “ “ Washer (rawhide).
38668	3932	“ Foot Hinge Pin.....
38669	—	“ “ Plate with 38670.....
38670	3932	“ “ “ Pin.....
38671	—	“ “ Shank.....
38672	3932	Presser Foot (hinged) complete, Nos. 38668, 38669 and 38671.....
185H	3907	Presser Foot Screw.....
1121D	3907	Pressure Regulating Thumb Nut.....
32027	3900	Pulley, 2 in. diam.....
1167D	3918	“ Screw.....
2102	3908	Tension (looper thread) Disc.....
1560c	3908	“ “ “ Regulating Thumb Nut.....
916c	3908	Tension (looper thread) Screw Stud.....
10148	3908	“ “ “ Spring.....
17547	3908	“ “ “ Thread Guide...
2102	3908	“ (needle thread) Disc.....
1560c	3908	“ “ “ Regulating Thumb Nut.....

NO.	PLATE	NAME
916c	3908	Tension (needle thread) Screw Stud.....
8238	3908	“ “ “ Spring.....
17547	3908	“ “ “ Thread Guide....
38546	3908	Thread (looper) Eyelet (double).....
335D	3908	“ “ “ Screw.....
38547	3908	“ “ Retaining Spring.....
664D	3907	“ “ “ “ Screw..
38548	3908	“ “ Take-up.....
38549	3909	“ (needle) Eyelet.....
217F	3908	“ “ “ Screw.....
38673	3932	Throat Plate for 38661 and 38662.....
38674	3932	“ “ Guard.....
662D	3914	“ “ “ “ Screw.....
244F	3918	“ “ “ Screw.....
38675	3932	Welt Gauge Adjusting Lever with 38677....
38676	3932	“ “ “ “ Friction Washer.....
38677	3932	Welt Gauge Adjusting Lever Handle....
741F	3932	“ “ “ “ Hinge Screw
38678	3932	“ “ “ “ Pin.....
38679	3932	“ “ Base with three 38678.....
38678	3932	“ “ “ Position Pin.....
38680	3932	“ “ Folder (spring hinged).....
810F	3932	“ “ “ “ Screw.....

## IRON BASES

NO.	PLATE	NAME
38551	3921	Machine Base for 38555.....
38624	3925	“ “ “ 38626 and 38655.....
38552	3921	“ “ “ Cover for 38555.....
38625	3925	“ “ “ “ 38626.....
38654	3931	“ “ “ “ 38655.....
38553	3908	“ “ “ Lock Spring.....
335D	3908	“ “ “ “ “ Screw..
563C	3918	“ “ “ “ Screw Centre.....
1547D	3918	“ “ “ “ “ Nut..
4718	3908	“ “ “ Cushion (felt).....
38555	—	Machine Base complete for 75-1, 75-3 and 75-4 Machines, Nos. 38551, 38552, two each 563c, 1547d, four wood screws 1¼ in. No. 14 and eight 4718.....
38655	—	Machine Base complete for 75-2 Machine, Nos. 38624, 38654, two each 563c, 1547d, four wood screws 1¼ in. No. 14 and eight 4718.....

NO.	PLATE	NAME
38626	---	Machine Base complete for 75-5 to 75-7 Machines, Nos. 38624, 38625, two each 563c, 1547D, four wood screws 1¼ in. No. 14 and eight 4718.
138E	3918	Machine Base Screw

## ACCESSORIES

NO.	PLATE	NAME
38564	3920	Cord Threading Wire
474E	3918	Machine Thumb Screw
9842	3907	" " Washer
36563	3920	Oiler (copper plated) with 36564
36564	3920	" Spout, 5 in. long, with 120117
120117	3920	" " Washer (leather)
26151	3920	Screw Driver
35143	3920	Tweezers, 4 in. long
35095	3920	" 6 in. long
8909	3920	Wrench for 1513 and 1517
10875	3920	" " 1519 and 1520
19079	3920	" " 1629

## STRIP GUIDE

35061	3924	Strip Guide (adjustable to height) for laying lace either on upper or under side of goods, for 75-3 Machine
-------	------	---

## FOOT LIFTER PARTS

NO.	PLATE	NAME
6439	---	Chain, 36 in. to 45 in.

NOTE: When ordering No. 6439 give length required.

4879	3920	Chain Connecting Link
38581	3920	Lifting Lever
21D	3918	" " Hinge Screw
38582	3917	" " Link
1048D	3906	" " Hinge Screw
19081	3917	" " Spring
1002D	3918	" " Stop Screw
4881	3921	Treadle
4882	3920	" Shaft
4883	3920	" Spring
4884	3921	" Stand
4885	3921	Treadle complete, Nos. 4879, 4881 to 4884 and two wood screws 1 in. No. 16

NO.	PLATE	NAME
38583	---	Foot Lifter complete, Nos. 21D, 1002D, 1048D, 4885, 6439, 19081, 38581 and 38582

## KNEE LIFTER PARTS

NO.	PLATE	NAME
14224	---	Chain, length 10¼ in.
38581	3920	Lifting Lever
21D	3918	" " Hinge Screw
38582	3917	" " Link
1048D	3906	" " Hinge Screw
19081	3917	" " Spring
1002D	3918	" " Stop Screw
7124	3921	Rock Shaft
2764	3921	" " Hanger with two wood screws 1 in. No. 10
6335	3921	Rock Shaft Knee Arm
6336	---	Rock Shaft Knee Arm complete, Nos. 2766, 2767 and 6335
2766	3921	Rock Shaft Knee Arm Hub with 356c
356c	3918	" " " " " Set Screw
2767	3921	" " " " " Plate with 356c
356c	3918	" " " " " Set Screw
6337	3921	" " Lifting Bracket with two 356c
7125	3921	" " " " " Hook
356c	3918	" " " " " Set Screw
356c	3918	" " " " " Set Screw
2770	3921	" " Stop Dog with 356c
356c	3918	" " " " " Set Screw
7126	3921	Rock Shaft complete, Nos. 2770, 6336, 6337, 7124, 7125 and two 2764
38586	---	Knee Lifter complete, Nos. 21D, 1002D, 1048D, 7126, 14224, 19081, 38581 and 38582

## KNIFE GRINDER

FOR 75-2 AND 75-5 TO 75-7 MACHINES

NO.	PLATE	NAME
27565	1104	Emery Wheel, 2 in. diam.
1508E	3919	" " Clamping Nut
27822	3919	" " " " Washer
27567	3919	" " Shaft
60934	---	" " " 27567 with 1508E, 27565, 27569 and 27822



NO.	PLATE	NAME
27568	3919	Emery Wheel Shaft Oil Hole Cover (rubber)
27569	3919	Emery Wheel Shaft Pulley
310F	3919	" " " Screw Centre
1516D	3919	" " " " " Nut
27564	1104	Frame with 27574
899D	3919	Knife Clamping Screw
27946	3919	" Holder Body
27947	3919	" " Clamp
2532	3919	" " " Stop Pin
732D	3919	" " " Thumb Screw
27948	—	Knife Holder complete, Nos. 732D, 899D, 27946, 27947 and two each 2532 and 27660
27323	3919	Knife Holder Guide Bar
27572	1104	" " " " Bracket with 27574
310F	3919	Knife Holder Guide Bar Bracket Screw Centre
1516D	3919	Knife Holder Guide Bar Bracket Screw Centre Nut
27573	3919	Knife Holder Guide Bar Bracket Spring
27574	3919	" " " " " " " Hook
27659	3919	Knife Holder Stop Collar with 237F
237F	3919	" " " " Set Screw
27660	3919	" Position Pin
261D	3919	" Regulating Thumb Screw
2532	3919	" Stop Pin
27662	1104	Wrench for 1508 and 1516
60583	—	Knife Grinder, Nos. 261D, 2723, 27564, 27572, 27573, 27659, 60934, two 27568 and four each 310F and 1516D
27904	—	Knife Grinder complete, Nos. 27662, 27948, 60583 and three wood screws 1 in. No. 10

## THREAD UNWINDERS

### THREAD UNWINDER

FOR TWO LARGE SPOOLS OR TWO LARGE CONES OF THREAD

NO.	PLATE	NAME
27623	2837	Spool Pin
155c	3930	" " Set Screw
41530	2837	" Rest

NO.	PLATE	NAME
60455	—	Spool Rest 41530 with 1149c and two 155c
41531	—	" " 60455 with two 27623
1149c	3930	" " Set Screw
27940	2837	" Stand with 453c
41514	2837	" Weight, 4 in. diam., with 41515
41515	3930	" " Centre Pin
27739	2837	Thread Cone (wood)
41631	2837	" Guard with 208E and two 41569
41569	3930	" " Eyelet
41637	2837	" " Rod (lower)
41638	2837	" " " (upper)
41639	2837	" " " Coupling with two 456c
456c	3930	Thread Guard Rod Coupling Set Screw
41640	—	Thread Guard Rod complete, 30 in. long, Nos. 41637 to 41639
453c	3903	Thread Guard Rod Set Screw
208E	3930	" " Screw
41533	2837	Thread Unwinder complete, Nos. 27940, 41531, 41631, 41640, two each 27739, 41514 and three wood screws 1 in. No. 12

## THREAD UNWINDER

FOR THREE LARGE SPOOLS OR THREE LARGE CONES OF THREAD

NO.	PLATE	NAME
27623	5571	Spool Pin
155c	3930	" " Set Screw
41434	5571	" Rest
60697	—	" " 41434 with 1149c and three 155c
41435	—	" " 60697 with three 27623
1149c	3930	" " Set Screw
27940	5571	" Stand with 453c
41514	5571	" Weight, 4 in. diam., with 41515
41515	3930	" " Centre Pin
27739	5571	Thread Cone (wood)
41632	5571	" Guard with 208E and three 41569
41569	3930	" " Eyelet
41637	5571	" " Rod (lower)
41638	5571	" " " (upper)
41639	5571	" " " Coupling with two 456c
456c	3930	" " " Set Screw
41640	—	Thread Guard Rod complete, 30 in. long, Nos. 41637 to 41639
453c	3903	Thread Guard Rod Set Screw
208E	3930	" " Screw

NO.	PLATE	NAME
41438	5571	Thread Unwinder complete, Nos. 27940, 41435, 41632, 41640 and three each 27739, 41514 and wood screws 1 in. No. 12

**THREAD UNWINDER****FOR FOUR LARGE SPOOLS OR FOUR LARGE CONES OF THREAD**

NO.	PLATE	NAME
27623	2838	Spool Pin
155c	3930	" " Set Screw
41534	2838	" Rest
41535	—	" " 41534 with 1149c and four each 155c and 27623
1149c	3930	Spool Rest Set Screw
27940	2838	" Stand with 453c
41514	2838	" Weight, 4 in. diam., with 41515
41515	3930	" " Centre Pin
27739	2838	Thread Cone (wood)
41633	2838	" Guard with 208E and four 41569
41569	3930	" " Eyelet
41637	28 8	" " Rod (lower)
41638	2838	" " " (upper)
41639	2838	" " " Coupling with two 456c
456c	3930	" " " " Set Screw
41640	—	Thread Guard Rod complete, 30 in. long, Nos. 41637 to 41639
453c	3903	Thread Guard Rod Set Screw
208E	3930	" " Screw
60685	—	Thread Unwinder, Nos. 27940, 41535, 41633, 41640, three wood screws 1 in. No. 12 and four 27739
41537	2838	Thread Unwinder complete, Nos. 60685 and four 41514

**OBSOLETE PARTS**

NO.	PLATE	NAME
*38501	—	Arm, upper and lower (solid) with 38508, 38601 and two 130E, for 75-2 Machine
38599	3923	Cord Guide (lower) for 75-5 Machine
190D	3918	" " " Screw
22338	3903	Feed Bar with 152F and 207c
152F	3903	" " Adjusting Screw
207c	3903	" " Hinge Pin Clamping Screw
22340	3905	" Connecting Rod with 794E, use 38587
794E	3905	" " " Adjusting Screw

NO.	PLATE	NAME
38591	3917	Feed Dog for 75-5 Machine
*22342	—	" Eccentric
22344	3905	Feed Eccentric (adjustable) complete, Nos. 196E, 934D, 1103c, 21332, 22342, 22343, 61171 and two 446c
22347	3917	Feed Rock Shaft, use 34101
34101	—	Feed Rock Shaft complete, Nos. 34100 and 34102
38508	3900	Feed Rock Shaft Bracket for 38501
34102	3904	" " " Crank with 157B, for 34101
157B	3927	Feed Rock Shaft Crank Clamping Screw
38510	3909	Knife (movable) Holder for 75-2 Machine
38511	3909	" " Lever for 75-2 Machine
38519	3906	Looper Carrier for 308
*38520	—	" " Bracket for 308 for 38501 and 38578
38523	3906	Looper Carrier Crank Pitman
1048D	3906	" " " " Hinge Screw
38524	3906	" " Pitman
829c	3906	" " " Hinge Screw
308c	3906	" " Screw Centre
1517E	3906	" " " " Nut
38530	3904	" Rock Shaft Crank with 1265c, 1519E and two 454c
38531	3904	Looper Rock Shaft Crank Connection, use 38641
*38532	—	Looper Rock Shaft Crank Connection Cap (lower)
*38533	—	Looper Rock Shaft Crank Connection Cap (upper)
454c	3906	Looper Rock Shaft Crank Set Screw
38617	3927	Presser Bar Spring for 75-5 and 75-6 Machines
38593	3914	Presser Foot Body
38594	3914	" " Chaining-off Finger
2827	3905	" " Cord Guide with 8505, for 38595
8505	3905	Presser Foot Cord Guide Rivet
38595	3914	" " Guard with 2827
662D	3914	" " " Screw
38596	—	Presser Foot complete for 75-5 Machine, Nos. 233D, 38593 to 38595 and two 662D
38597	3911	Throat Plate with 38598, for 38591
38598	3911	" " Cord Guide

**NUMERICAL LIST OF PARTS**

**FOR**

**MACHINES**

**Nos. 75-1 to 75-7**

From the library of: Diamond Needle Corp.

## NUMERICAL LIST OF PARTS

NO.	PLATE	NAME
21d	3918	Lifting Lever Hinge Screw for 38583 and 38586 .....
26c	3928	Feed Dog (back) Lever Connection Hinge Screw for 75-6 and 75-7 Machines .....
35F	3906	Looper Carrier Crank Hinge Screw .....
85E	3907	Presser Bar Lifter Screw .....
93F	3930	Chaining-off Finger Hinge Screw for 38659 .....
122E	3918	Feed Eccentric Cover Screw .....
130E	3918	" Rock Shaft Bracket Screw for 38501, 38578 and 38653 .....
130E	3918	Looper Carrier Bracket Screw for 38501, 38578 and 38653 .....
138E	3918	Machine Base Screw .....
152F	3903	Feed Bar Adjusting Screw for 22338, obsolete .....
155c	3930	Thread Unwinder Spool Pin Set Screw for 44535, 60455 and 60697 .....
157E	3927	Cloth Plate Bracket Screw (lower) for 75-5 to 75-7 Machines .....
157B	3927	Feed Rock Shaft Crank Clamping Screw for 34102, obsolete .....
171E	3930	Connecting Rod Cap Screw for 34433 .....
172E	3904	Feed Rock Shaft Crank Clamping Screw for 38584 .....
175F	3930	Feed Bar Hinge Pin Clamping Screw for 38579 .....
185H	3907	Chaining-off Finger Bracket Screw for 75-7 Machine .....
185H	3907	Presser Bar Guide Bracket Guide Screw .....
185H	3907	" Foot Screw .....
190d	3918	Cord Guide (lower) Screw for 75-5 Machine, obsolete .....
190d	3918	Feed Dog Screw for 75-1 to 75-5 Machines .....
190d	3918	" " (front) Screw for 75-6 and 75-7 Machines .....
190d	3918	Knife (stationary) Holder Adjusting Thumb Screw Clamping Screw for 75-5 to 75-7 Machines .....
196F	3903	Feed Eccentric Set Screw for 22344 and 38590 .....
196E	3903	Looper Rock Shaft Crank Connection Cap (lower) Screw for 38641 .....

NO. PLATE	NAME
197F 3909	Knife (movable) Screw for 75-2 and 75-5 to 75-7 Machines.
199D 3903	Arm Rotary Shaft Screw.
203C 3928	Feed Dog (back) Lever Connection Adjusting Screw for 38633.
207C 3903	Feed Bar Hinge Pin Clamping Screw for 22338, obsolete.
207F 3903	Guide Screw for 75-1, 75-3 and 75-4 Machines.
207F 3903	Needle Guard Screw.
208E 3930	Thread Unwinder Thread Guard Screw for 41631 to 41633.
217F 3908	Thread (needle) Eyelet and Cord Guide Screw for 75-1 to 75-5 Machines.
217F 3908	Thread (needle) Eyelet Screw for 75-6 and 75-7 Machines.
230H 3916	Guide Smoothing Plate Screw for 38571.
233D 3914	Presser Foot Chaining-off Finger Screw for 38545, 38560, 38568, 38573, 38596, 38621 and 38649.
237F 3919	Knife Grinder Knife Holder Stop Collar Set Screw for 27659.
240D 3927	Knife (movable) Lever Cover Extension Screw for 38611.
240D 3927	Knife (movable) Lever Cover Screw for 75-5 to 75-7 Machines.
241D 3906	Looper Carrier Cover Screw for 75-1 to 75-4 Machines.
244F 3918	Throat Plate Screw.
261D 3919	Knife Grinder Knife Regulating Thumb Screw for 60583.
307C 3904	Feed Rock Shaft Screw Centre.
308C 3906	Looper Carrier Screw Centre, obsolete.
310F 3919	Knife Grinder Emery Wheel Shaft Screw Centre for 60583.
310F 3919	Knife Grinder Knife Holder Guide Bar Bracket Screw Centre for 60583.
335D 3908	Machine Base Cover Lock Spring Screw.
335D 3914	Presser Foot Extension Screw for 38545.
335D 3908	Thread (looper) Eyelet Screw.
337D 3905	Face Plate Screw.
356C 3918	Rock Shaft Knee Arm Hub Set Screw for 2766.
356C 3918	Rock Shaft Knee Plate Set Screw for 2767.
356C 3918	“ “ Lifting Bracket Hook Set Screw for 6337.

NO. PLATE	NAME
356C 3918	Rock Shaft Lifting Bracket Set Screw for 6337.
356C 3918	Rock Shaft Stop Dog Set Screw for 2770.
378C 3905	Feed Connecting Rod Hinge Screw.
378C 3905	Looper Carrier Pitman Hinge Screw.
391E 3907	Needle Bar Connecting Stud Clamping Screw for 38535.
391F 3907	Knife (stationary) Clamp Screw for 38516.
399F 3928	“ “ Clamping Screw for 75-5 to 75-7 Machines.
399F 3928	Knife (stationary) Holder Plate Screw for 75-5 to 75-7 Machines.
400C 3907	Presser Bar Guide Bracket Adjusting Screw for 38538.
446C 3905	Feed Eccentric Body Set Screw for 22344 and 38590.
453C 3903	Feed Lifting Eccentric Set Screw for 22475.
453C 3903	Looper Driving Shaft Set Screw for 38528.
453C 3903	Presser Bar Guide Bracket Set Screw for 38538.
453C 3903	Thread Unwinder Thread Guard Rod Set Screw for 27940.
454C 3906	Looper Carrier Pitman Crank Set Screw for 38693.
454C 3906	Looper Rock Shaft Crank Set Screw for 38530, obsolete.
456C 3930	Thread Unwinder Thread Guard Rod Coupling Set Screw for 41639.
457C 3929	Presser Foot Spring Adjusting Screw for 38649.
465C 3909	Feed Lifting Eccentric Set Screw for 38507.
474E 3918	Machine Thumb Screw (Accessories).
563C 3918	“ Base Cover Screw Centre for 38555, 38626 and 38655.
662D 3914	Presser Foot Guard Screw for 38596, obsolete.
662D 3914	Throat Plate Guard Screw for 75-6 and 75-7 Machines.
664D 3907	Needle Bar Thread Retaining Spring Screw.
664D 3907	Thread (looper) Retaining Spring Screw.
665D 3914	Presser Foot Guard Screw for 38545 and 38649.
691F 3927	Cloth Plate Bracket Screw (upper) for 75-5 to 75-7 Machines.
732D 3919	Knife Grinder Knife Holder Clamp Thumb Screw for 27948.

NO. PLATE	NAME
741F 3932	Welt Gauge Adjusting Lever Hinge Screw for 75-7 Machine.....
794E 3905	Feed Connecting Rod Adjusting Screw for 22340, obsolete.....
794E 3905	Knife (movable) Lever Connection Adjusting Screw (eccentric end) for 38512.....
797E 3904	Looper Driving Shaft Position Screw for 38528.....
810F 3932	Welt Gauge Folder Screw for 75-7 Machine.....
829c 3906	Looper Carrier Pitman Hinge Screw, obsolete.....
896E 3904	Looper Rock Shaft Crank Connection Cap (upper) Screw for 38641.....
899D 3919	Knife Grinder Knife Clamping Screw for 27948.....
910c 3930	Chaining-off Finger Stop Screw for 38659.....
914F 3909	Knife (stationary) Holder Screw for 75-2 Machine.....
916c 3908	Tension (cord) Screw Stud for 75-5 Machine.....
916c 3908	Tension (looper thread) Screw Stud.....
916c 3908	" (needle thread) Screw Stud.....
934D 3905	Feed Eccentric Pressure Spring Cap Screw for 22344 and 38590.....
1002D 3918	Lifting Lever Stop Screw for 38583 and 38586.....
1012E 3909	Knife (movable) Lever Connection Adjusting Screw (hinge screw end) for 38512.....
1036c 3923	Looper Rock Shaft Crank Set Screw for 38692.....
1037c 3923	Looper Rock Shaft Crank Position Screw for 38692.....
1048c 3906	Feed Dog (back) Lever Hinge Screw for 75-6 and 75-7 Machines.....
1048F 3906	Knife (stationary) Holder Screw for 75-5 to 75-7 Machines.....
1048D 3906	Lifting Lever Link Hinge Screw for 38583 and 38586.....
1048D 3906	Looper Carrier Crank Pitman Hinge Screw, obsolete.....
1057E 3918	Feed Connecting Rod Cap Screw for 38787.....
1103c 3905	" Regulating Screw for 22344 and 38590.....
1104F 3918	Cloth Plate Screw.....
1121D 3907	Pressure Regulating Thumb Screw.....
1139c 3903	Connecting Rod Hinge Screw.....

NO. PLATE	NAME
1149c 3930	Thread Unwinder Spool Rest Set Screw for 41535, 60455 and 60697.....
1167D 3918	Pulley Screw.....
1259c 3903	Arm Rock Shaft Crank (back) Set Screw for 32034.....
1259c 3903	Arm Rock Shaft Crank (front) Position Screw for 34116.....
1259c 3903	Arm Rock Shaft Crank (front) Set Screw for 34116.....
1265c 3904	Looper Rock Shaft Crank Ball Joint Screw for 38530, 38603 and 38689.....
1279c 3906	Looper Crank Set Screw for 38526.....
1281F 3930	Chaining-off Finger Spring Screw for 38659.....
1295c 3923	Knife (movable) Lever Hinge Pin Screw Bearing for 75-2 and 75-5 to 75-7 Machines.....
1295c 3923	Looper Carrier Hinge Pin Screw Bearing.....
1313E 3907	Needle Bar Connecting Link Adjusting Screw for 34170.....
1313E 3907	Presser Bar Stop Collar Clamping Screw for 38644.....
1316c 3928	Knife (movable) Lever Connection Hinge Screw for 75-2 and 75-5 to 75-7 Machines.....
1317D 3928	Knife (stationary) Holder Adjusting Thumb Screw for 75-5 to 75-7 Machines.....
1320c 3927	Looper Carrier Crank Pitman Hinge Screw.....
1439c 3930	Arm Rock Shaft Crank (back) Position Screw for 32034.....
1508E 3919	Knife Grinder Emery Wheel Clamping Nut for 60934.....
1513j 3904	Feed Rock Shaft Screw Centre Nut.....
1513j 3904	Knife (movable) Lever Hinge Pin Nut for 75-2 and 75-5 to 75-7 Machines.....
1513j 3904	Knife (movable) Lever Hinge Pin Screw Bearing Nut for 75-2 and 75-5 to 75-7 Machines.....
1513j 3904	Looper Carrier Hinge Pin Nut.....
1513j 3904	" " " " Screw Bearing Nut.....
1516D 3919	Knife Grinder Emery Wheel Shaft Screw Centre Nut for 60583.....
1516D 3919	Knife Grinder Knife Holder Guide Bar Bracket Screw Centre Nut for 60583.....
1517E 3906	Looper Carrier Screw Centre Nut, obsolete.....

NO.	PLATE	NAME
1519E	3904	Looper Rock Shaft Crank Ball Joint Screw Nut for 38530 and 38603.....
1520E	3903	Connecting Rod Hinge Screw Nut.....
1520E	3903	Feed Connecting Rod Hinge Screw Nut
1520E	3903	Knife (movable) Holder Nut for 75-2 and 75-5 to 75-7 Machines.....
1520E	3903	Looper Carrier Pitman Hinge Screw Nut
1547D	3918	Machine Base Cover Screw Centre Nut for 38555, 38626 and 38655.....
1547J	3918	Tension (cord) Screw Stud Nut for 75-5 Machine.....
1560c	3908	Tension (cord) Regulating Thumb Nut for 75-5 Machine.....
1560c	3908	Tension (looper thread) Regulating Thumb Nut.....
1560c	3908	Tension (needle thread) Regulating Thumb Nut.....
1629c	3907	Needle Clamping Nut.....
1655c	3909	Knife (movable) Lever Connection Hinge Screw Nut for 75-2 and 75-5 to 75-7 Machines.....
1695D	3930	Chaining-off Finger Stop Screw Nut for 38659.....
2102	3908	Tension (cord) Disc for 75-5 Machine....
2102	3908	" (looper thread) Disc.....
2102	3908	" (needle thread) Disc.....
2532	3919	Knife Grinder Knife Holder Clamp Stop Pin for 27948.....
2532	3919	Knife Grinder Knife Stop Pin for 27948..
2764	3921	Rock Shaft Hanger with two wood screws 1 in. No. 10, for 7126.....
2766	3921	Rock Shaft Knee Arm Hub with 356c, for 6336.....
2767	3921	Rock Shaft Knee Plate with 356c, for 6336
2770	3921	" " Stop Dog with 356c, for 7126
2827	3905	Face Plate Thread Guard with 8505, for 38504.....
2827	3905	Presser Foot Cord Guide with 8505, for 38595, obsolete.....
4718	3908	Machine Base Cushion (felt) for 38555, 38626 and 38655.....
4879	3920	Chain Connecting Link for 4885.....
		Nos. 4881 TO 4884 FOR 4885
4881	3921	Treadle.....
4882	3920	" Shaft.....
4883	3920	" Spring.....

NO.	PLATE	NAME
4884	3921	Treadle Stand.....
4885	3921	Treadle complete for 38583, Nos. 4879, 4881 to 4884 and two wood screws 1 in. No. 16.....
6335	3921	Rock Shaft Knee Arm for 6336.....
6336	—	Rock Shaft Knee Arm complete for 7126, Nos. 2766, 2767 and 6335.....
6337	3921	Rock Shaft Lifting Bracket with two 356c, for 7126.....
6439	—	Chain, 36 in. to 45 in., for 38583.....
7071	3905	Guide Screw Washer for 75-1, 75-3 and 75-4 Machines.....
7124	3921	Rock Shaft for 7126.....
7125	3921	" " Lifting Bracket Hook for 7126
7126	3921	Rock Shaft complete for 38586, Nos. 2770, 6336, 6337, 7124, 7125 and two 2764....
8238	3908	Tension (needle thread) Spring.....
8505	3905	Face Plate Thread Guard Rivet for 2827
8505	3905	Presser Foot Cord Guide Rivet for 2827, obsolete.....
8909	3920	Wrench for 1513 and 1517 (Accessories)...
9534	3907	Presser Bar Spring.....
9842	3907	Machine Thumb Screw Washer (Accessories).....
10148	3908	Tension (cord) Spring for 75-5 Machine..
10148	3908	" (looper thread) Spring.....
10875	3920	Wrench for 1519 and 1520 (Accessories)...
12152	3909	Knife (stationary) Holder Guard Rivet for 38516.....
14224	—	Chain, length 10 $\frac{1}{4}$ in., for 38586.....
17547	3908	Tension (looper thread) Thread Guide...
17547	3908	" (needle thread) Thread Guide for 75-1 to 75-4, 75-6 and 75-7 Machines..
19079	3920	Wrench for 1629 (Accessories).....
19081	3917	Lifting Lever Spring for 38583 and 38586
21332	3905	Feed Eccentric Pressure Spring Cap for 22344 and 38590.....
22338	3903	Feed Bar with 152F and 207c, obsolete...
22339	3903	" " Hinge Pin.....
22340	3905	" Connecting Rod with 794E, obsolete, use 38587.....
*22342	—	Feed Eccentric for 22344, obsolete.....
*22343	—	" " Body for 22344 and 38590
22344	3905	Feed Eccentric (adjustable) complete, Nos. 196F, 934D, 1103c, 21332, 22342, 22343, 61171 and two 446c, obsolete...
22347	3917	Feed Rock Shaft, obsolete, use 34101....

NO.	PLATE	NAME
22405	3907	Presser Bar Spring Washer.....
22475	3903	Feed Lifting Eccentric with two 453c, for 75-1, 75-3 and 75-4 Machines.....
26151	3920	Screw Driver (Accessories).....
26276	3929	Presser Foot Hinge Pin for 38649.....
27323	3919	Knife Grinder Knife Holder Guide Bar for 60583.....
27564	1104	Knife Grinder Frame with 27574, for 60583
27565	1104	" " Emery Wheel, 2 in. diam., for 60934.....
27567	3919	Knife Grinder Emery Wheel Shaft for 60934.....
27568	3919	Knife Grinder Emery Wheel Shaft Oil Hole Cover (rubber) for 60583.....
27569	3919	Knife Grinder Emery Wheel Shaft Pulley for 60934.....
27572	1104	Knife Grinder Knife Holder Guide Bar Bracket with 27574, for 60583.....
27573	3919	Knife Grinder Knife Holder Guide Bar Bracket Spring for 60583.....
27574	3919	Knife Grinder Knife Holder Guide Bar Bracket Spring Hook for 27564 and 27572.....
27623	2837	Thread Unwinder Spool Pin for 41435, 41531 and 41535.....
27659	3919	Knife Grinder Knife Holder Stop Collar with 237F, for 60583.....
27660	3919	Knife Grinder Knife Position Pin for 27948
27662	1104	Wrench for 1508 and 1516, for 27904.....
27739	2837	Thread Unwinder Thread Cone (wood) for 41438, 41533 and 60685.....
27822	3919	Knife Grinder Emery Wheel Clamping Nut Washer for 60934.....
27904	—	Knife Grinder complete for 75-2 and 75-5 to 75-7 Machines, Nos. 27662, 27948, 60583 and three wood screws 1 in. No. 10
27940	2837	Thread Unwinder Spool Stand with 453c, for 41438, 41533 and 60685.....
27946	3919	Knife Grinder Knife Holder Body for 27948
27947	3919	" " " " Clamp for 27948
27948	—	Knife Grinder Knife Holder complete for 27904, Nos. 732D, 899D, 27946, 27947 and two each 2532 and 27660.....
32026	3900	Balance Wheel.....
32027	3900	Pulley, 2 in. diam.....
32034	3903	Arm Rock Shaft Crank (back) with 1259c and 1439c.....

NO.	PLATE	NAME
34100	3904	Feed Rock Shaft for 34101 and 38585....
34101	—	Feed Rock Shaft complete, Nos. 34100 and 34102, obsolete.....
34102	3904	Feed Rock Shaft Crank with 157B, for 34101, obsolete.....
34103	3907	Presser Bar.....
34104	3904	Feed Rock Shaft.....
34105	3903	Arm Rock Shaft Crank (front) with two 1259c.....
34170	3907	Needle Bar Connecting Link with two 1313E.....
34433	3930	Connecting Rod with 34434 and two 171E
*34434	—	" " Cap for 34433.....
35061	3924	Strip Guide (adjustable to height) for lay- ing lace either on upper or under side of goods, for 75-3 Machine.....
35095	3920	Tweezers, 6 in. long (Accessories).....
35143	3920	" " 4 in. long (Accessories).....
36563	3920	Oiler (copper plated) with 36564 (Acces- sories).....
36564	3920	Oiler Spout, 5 in. long, with 120117, for 36563.....
*38501	—	Arm, upper and lower (solid) with 38508, 38601 and two 130E, for 75-2 Machine, obsolete.....
38502	3903	Arm Rotary Shaft.....
38503	3902	Cloth Plate for 75-2 Machine.....
38504	3905	Face Plate with 2827.....
38505	3910	Feed Dog, for knit goods, for 75-1 and 75-2 Machines.....
38506	3900	Feed Eccentric Cover for 75-1, 75-3 and 75-4 Machines.....
38507	3909	Feed Lifting Eccentric with two 465c, for 75-2 and 75-5 to 75-7 Machines.....
38508	3900	Feed Rock Shaft Bracket for 38501, obso- lete.....
38509	3909	Knife (movable) for 75-2 Machine.....
38510	3909	" " Holder for 75-2 Machine, obsolete.....
38511	3909	Knife (movable) Lever for 75-2 Machine, obsolete.....
38512	3909	Knife (movable) Lever Connection with 794E and 1012E, for 75-2 and 75-5 to 75-7 Machines.....
38513	3909	Knife (stationary) for 75-2, 75-5 and 75-6 Machines.....
38514	3909	Knife (stationary) Clamp for 38516.....



NO.	PLATE	NAME
38515	3909	Knife (stationary) Holder for 38516.....
38516	—	Knife (stationary) Holder complete for 75-2 Machine, Nos. 391E, 38514, 38515, 38517 and two 12152.....
38517	3909	Knife (stationary) Holder Guard for 38516
38518	3906	Looper for 75-1, 75-2 and 75-4 to 75-7 Machines.....
38519	3906	Looper Carrier for 308, obsolete.....
*38520	—	“ “ Bracket for 308 for 38501 and 38578, obsolete.....
38521	3906	Looper Carrier Cover for 75-1 to 75-4 Ma- chines.....
38522	3906	Looper Carrier Crank.....
38523	3906	“ “ “ Pitman, obsolete...
38524	3906	“ “ Pitman, obsolete.....
38525	3906	“ “ “ Crank (double) 38693 with 50033E.....
38526	3906	Looper Crank with 1279c.....
38527	3906	“ “ Slide Block.....
38528	3904	“ Driving Shaft with 453c and 797E
38529	3906	“ Rock Shaft.....
38530	3904	“ “ “ Crank with 1265c, 1519E and two 454c, obsolete.....
38531	3904	Looper Rock Shaft Crank Connection, obsolete, use 38641.....
*38532	—	Looper Rock Shaft Crank Connection Cap (lower) obsolete.....
*38533	—	Looper Rock Shaft Crank Connection Cap (upper) obsolete.....
38534	3907	Needle Bar (hollow).....
38535	3907	“ “ Connecting Stud with 391E..
38536	3907	“ “ Thread Retaining Spring....
38537	3907	“ Guard.....
38538	3907	Presser Bar Guide Bracket with 400c and 453c.....
38539	3907	Presser Bar Guide Bracket Guide.....
38540	3907	“ “ Lifter for 75-1 to 75-6 Ma- chines.....
38541	3914	Presser Foot Body for 38545.....
38542	3914	“ “ Chaining-off Finger for 38545 and 38649.....
38543	3914	Presser Foot Extension for 38545.....
38544	3914	“ “ Guard for 38545 and 38649..
38545	—	Presser Foot complete for 75-2 Machine, Nos. 233D, 335D, 665D and 38541 to 38544.....
38546	3908	Thread (looper) Eyelet (double).....

NO.	PLATE	NAME
38547	3908	Thread (looper) Retaining Spring.....
38548	3908	“ “ Take-up.....
38549	3909	“ (needle) Eyelet and Cord Guide for 75-2 Machine.....
38549	3909	Thread (needle) Eyelet for 75-6 and 75-7 Machines.....
38550	3910	Throat Plate for 38505 for 75-2 Machine
38551	3921	Machine Base for 38555.....
38552	3921	“ “ Cover for 38555.....
38553	3908	“ “ “ Lock Spring.....
38554	—	No. cancelled.
38555	—	Machine Base complete for 75-1, 75-3 and 75-4 Machines, Nos. 38551, 38552, two each 563c, 1547D, four wood screws 1¼ in. No. 14 and eight 4718.....
38556	3901	Cloth Plate for 75-1 Machine (for 38763) 75-3 and 75-4 Machines.....
38557	3910	Feed Dog for 75-1 Machine.....
38558	3900	“ Rock Shaft Bracket for 38578.....
38559	3905	Guide for 75-1 Machine.....
38560	3914	Presser Foot with 233D and 38561, for 75-1 Machine.....
38561	3914	Presser Foot Chaining-off Finger for 38560 and 38568.....
38562	3908	Thread (needle) Eyelet and Cord Guide for 75-1 and 75-3 to 75-5 Machines....
38563	3910	Throat Plate for 38557.....
38564	3920	Cord Threading Wire (Accessories).....

## Nos. 38565 TO 38569 FOR 75-3 MACHINE

38565	3911	Feed Dog.....
38566	3908	Guide.....
38567	3908	Looper.....
38568	3914	Presser Foot with 233D and 38561.....
38569	3911	Throat Plate for 38565.....

## Nos. 38570 TO 38575 FOR 75-4 MACHINE

38570	3911	Feed Dog.....
38571	3916	Guide with 230H and 38572.....
38572	3916	“ Smoothing Plate for 38571.....
38573	3914	Presser Foot with 233D and 38574.....
38574	3914	“ “ Chaining-off Finger for 38573
38575	3911	Throat Plate for 38570.....
38576	3901	Cloth Plate for 38577, for knit goods, for 75-1 Machine.....
38577	3910	Throat Plate for 38505, for knit goods, for 75-1 Machine.....

NO.	PLATE	NAME
*38578	—	Arm, upper and lower (solid) with 38558, 38601 and two 130E, for 75-1, 75-3 and 75-4 Machines.
38579	3917	Feed Bar with 175F.
38580	3917	" Lifting Eccentric Connection.
38581	3920	Lifting Lever for 38583 and 38586.
38582	3917	" " Link for 38583 and 38586.
38583	—	Foot Lifter complete, Nos. 21D, 1002D, 1048D, 4885, 6439, 19081, 38581 and 38582.
38584	3917	Feed Rock Shaft Crank with 172E, for 38585 and 38638.
38585	—	Feed Rock Shaft complete for 75-1 to 75-5 Machines, Nos. 34100 and 38584.
38586	—	Knee Lifter complete, Nos. 21D, 1002D, 1048D, 7126, 14224, 19081, 38581 and 38582.
38587	3916	Feed Connecting Rod with 38588 and two 1057E.
*38588	—	Feed Connecting Rod Cap for 38587.
*38589	—	" Eccentric for 38590.
38590	3916	Feed Eccentric (adjustable) complete, Nos. 196F, 934D, 1103C, 21332, 22343, 38589, 61171 and two 446C.
38591	3911	Feed Dog for 75-5 Machine, obsolete.
38592	3916	Knife (movable) for 75-5 and 75-6 Machines. Nos. 38593 TO 38595 FOR 38596
38593	3914	Presser Foot Body, obsolete.
38594	3914	" " Chaining-off Finger, obsolete.
38595	3914	" " Guard with 2827, obsolete.
38596	—	Presser Foot complete for 75-5 Machine, Nos. 233D, 38593 to 38595 and two 662D, obsolete.
38597	3911	Throat Plate with 38598, for 38591, obsolete.
38598	3911	Throat Plate Cord Guide for 38597, obsolete.
38599	3923	Cord Guide (lower) for 75-5 Machine, obsolete.
38600	3923	Looper Carrier.
*38601	—	" " Bracket for 38501, 38578 and 38653.
38602	3923	Looper Carrier Hinge Pin.
38603	—	" Rock Shaft Crank 38692 with 1265C and 1519E.

NO.	PLATE	NAME
38604	3925	Cloth Plate for 75-5 Machine.
38605	3927	" " Bracket for 75-5 to 75-7 Machines.
38606	3912	Feed Dog for 75-5 Machine.
38607	3926	" Eccentric Cover for 75-2 and 75-5 to 75-7 Machines.
38608	3926	Feed Rock Shaft Bracket for 38653.
38609	3928	Knife (movable) Holder for 75-2 and 75-5 to 75-7 Machines.
38610	3926	Knife (movable) Lever for 75-2 and 75-5 to 75-7 Machines.
38611	3926	Knife(movable)Lever Cover complete for 75-5 Machine, Nos. 38627, 38664 and two 240D.
38612	3928	Knife (movable) Lever Hinge Pin for 75-2 and 75-5 to 75-7 Machines.
38613	3928	Knife (movable) Lever Spring for 75-2 and 75-5 to 75-7 Machines.
38614	3928	Knife (stationary) Holder for 75-5 and 75-6 Machines.
38615	3928	Knife (stationary) Holder Plate for 75-5 and 75-6 Machines.
38616	3928	Knife (stationary) Holder Screw Washer for 75-5 to 75-7 Machines.
38617	3927	Presser Bar Spring for 75-5 and 75-6 Machines, obsolete.
38618	—	Presser Foot Body for 38621.
38619	3929	" " Chaining-off Finger for 38621.
38620	3928	" " Guard for 75-5 Machine.
38621	3929	Presser Foot complete for 75-5 Machine, Nos. 233D, 38618 and 38619.
38622	3927	Tension Bracket for 75-5 Machine.
38623	3912	Throat Plate for 38606.
38624	3925	Machine Base for 38626 and 38655.
38625	3925	" " Cover for 38626.
38626	—	Machine Base complete for 75-5 to 75-7 Machines, Nos. 38624, 38625, two each 563C, 1547D, four wood screws 1/4 in. No. 14 and eight 4718.
38627	3927	Knife (movable) Lever Cover Extension for 38611.
38628	3925	Cloth Plate for 75-6 Machine.
38629	3912	Feed Dog (back) for 75-6 Machine.
38630	3928	" " " Lever for 75-6 and 75-7 Machines.
38631	—	Feed Dog (back) Lever Connection (lever end) for 38633.

NO.	PLATE	NAME
38632	—	Feed Dog (back) Lever Connection (rock shaft end) for 38633.
38633	3928	Feed Dog (back) Lever Connection complete for 75-6 and 75-7 Machines, Nos. 203c, 38631 and 38632.
38634	3928	Feed Dog (back) Lever Connection Hinge Screw Locking Plate for 75-6 and 75-7 Machines.
38635	3928	Feed Dog (back) Lever Connection Hinge Screw Washer for 75-6 and 75-7 Machines.
38636	3912	Feed Dog (front) for 75-6 Machine.
38637	3928	" Rock Shaft for 38638.
38638	—	Feed Rock Shaft complete for 75-6 and 75-7 Machines, Nos. 38584 and 38637.
38639	3927	Looper Carrier Crank Pitman.
38640	3927	" " Pitman.
38641	3930	" Rock Shaft Crank Connection with 38642, 38643 and two each 196E and 896E, for 38689.
*38642	—	Looper Rock Shaft Crank Connection Cap (lower) for 38641.
*38643	—	Looper Rock Shaft Crank Connection Cap (upper) for 38641.
38644	3928	Presser Bar Stop Collar with 1313E, for 75-6 and 75-7 Machines.
38645	3928	Presser Bar Stop Collar Washer (rawhide) for 75-6 and 75-7 Machines.
38646	—	Presser Foot Plate for 38649.
38647	—	" " Shank for 38649.
38648	3929	" " Spring for 38649.
38649	3929	Presser Foot (spring hinged) complete for 75-6 Machine, Nos. 233D, 457c, 665D, 26276, 38542, 38544 and 38646 to 38648.
38650	3912	Throat Plate for 38629 and 38636.
38651	3927	" " Guard for 75-6 Machine.
38652	3926	Knife (movable) Lever Cover for 75-6 Machine.
38653	—	Arm, upper and lower (solid) with 38601, 38608 and two 130E, for 75-2 and 75-5 to 75-7 Machines.
38654	3931	Machine Base Cover for 38655.
38655	—	Machine Base complete for 75-2 Machine, Nos. 38624, 38654, two each 563c, 1547D, four wood screws 1¼ in. No. 14 and eight 4718.

NO.	PLATE	NAME
Nos. 38656 TO 38663 FOR 75-7 MACHINE		
38656	3930	Chaining-off Finger for 38659.
38657	3930	" " " Bracket for 38659.
38658	3930	" " " Spring for 38659.
38659	—	Chaining-off Finger complete, Nos. 93E, 910c, 1281F, 1695D and 38656 to 38658.
38660	3931	Cloth Plate.
38661	3932	Feed Dog (back).
38662	3932	" " (front).
38663	3930	Knife (movable).
38664	3931	" " Lever Cover for 38611 and 75-7 Machine.
Nos. 38665 TO 38681 FOR 75-7 MACHINE		
38665	3930	Knife (stationary).
38666	3930	" " Holder Plate.
38667	3930	Presser Bar Lifter.
38668	3932	" Foot Hinge Pin for 38672.
38669	—	" " Plate with 38670, for 38672.
38670	3932	" " " Pin for 38669.
38671	—	" " Shank for 38672.
38672	3932	Presser Foot (hinged) complete, Nos. 38668, 38669 and 38671.
38673	3932	Throat Plate for 38661 and 38662.
38674	3932	" " Guard.
38675	3932	Welt Gauge Adjusting Lever with 38677.
38676	3932	" " " " Friction Washer.
38677	3932	Welt Gauge Adjusting Lever Handle for 38675.
38678	3932	Welt Gauge Adjusting Lever Pin for 38679.
38678	3932	" " Base Position Pin for 38679.
38679	3932	" " " with three 38678.
38680	3932	" " Folder (spring hinged).
38681	3930	Knife (stationary) Holder.
38689	—	Looper Rock Shaft Crank Connection 38641 with 1265c.
38692	3923	Looper Rock Shaft Crank with 1036c and 1037c, for 38603.
38693	—	Looper Carrier Pitman Crank (double) with 454c, for 38525.
41434	5571	Thread Unwinder Spool Rest for 60697.
41435	—	" " " " 60697 with three 27623, for 41438.

NO.	PLATE	NAME
41438	5571	Thread Unwinder complete, for three large spools or three large cones of thread, Nos. 27940, 41435, 41632, 41640 and three each 27739, 41514 and wood screws 1 in. No. 12 .....
41514	2837	Thread Unwinder Spool Weight, 4 in. diam. with 41515, for 41438, 41533 and 41537
41515	3930	Thread Unwinder Spool Weight Centre Pin for 41514 .....
41530	2837	Thread Unwinder Spool Rest for 60455...
41531	—	“ “ “ “ 60455 with two 27623, for 41533 .....
41533	2837	Thread Unwinder complete, for two large spools or two large cones of thread, Nos. 27940, 41531, 41631, 41640, two each 27739, 41514 and three wood screws 1 in. No. 12 .....
41534	2838	Thread Unwinder Spool Rest for 41535...
41535	—	“ “ “ “ 41534 with 1149c and four each 155c and 27623, for 60685 .....
41537	2838	Thread Unwinder complete, for four large spools or four large cones of thread, Nos. 60685 and four 41514 .....
41569	3930	Thread Unwinder Thread Guard Eyelet for 41631 to 41633 .....
41631	2837	Thread Unwinder Thread Guard with 208E and two 41569, for 41533 .....
41632	5571	Thread Unwinder Thread Guard with 208E and three 41569, for 41438 .....
41633	2838	Thread Unwinder Thread Guard with 208E and four 41569, for 60685 .....
		Nos. 41637 TO 41639 FOR 41640
41637	2837	Thread Unwinder Thread Guard Rod (lower) .....
41638	2837	Thread Unwinder Thread Guard Rod (upper) .....
41639	2837	Thread Unwinder Thread Guard Rod Coupling with two 456c .....
41640	—	Thread Unwinder Thread Guard Rod complete, 30 in. long, for 41438, 41533 and 60685, Nos. 41637 to 41639 .....
50033E	3930	Looper Carrier Pitman Crank Position Screw for 38525 .....
60455	—	Thread Unwinder Spool Rest 41530 with 1149c and two 155c, for 41531 .....

NO.	PLATE	NAME
60583	—	Knife Grinder for 27904, Nos. 261D, 27323, 27564, 27572, 27573, 27659, 60934, two 27568 and four each 310F and 1516D ..
60685	—	Thread Unwinder for 41537, Nos. 27940, 41535, 41633, 41640, three wood screws 1 in. No. 12 and four 27739 .....
60697	—	Thread Unwinder Spool Rest 41434 with 1149c and three 155c, for 41435 .....
60934	—	Knife Grinder Emery Wheel Shaft 27567 with 1508E, 27565, 27569 and 27822, for 60583 .....
61171	3930	Feed Eccentric Pressure Spring for 22344 and 38590 .....
120117	3920	Oiler Spout Washer (leather) for 36564 ..

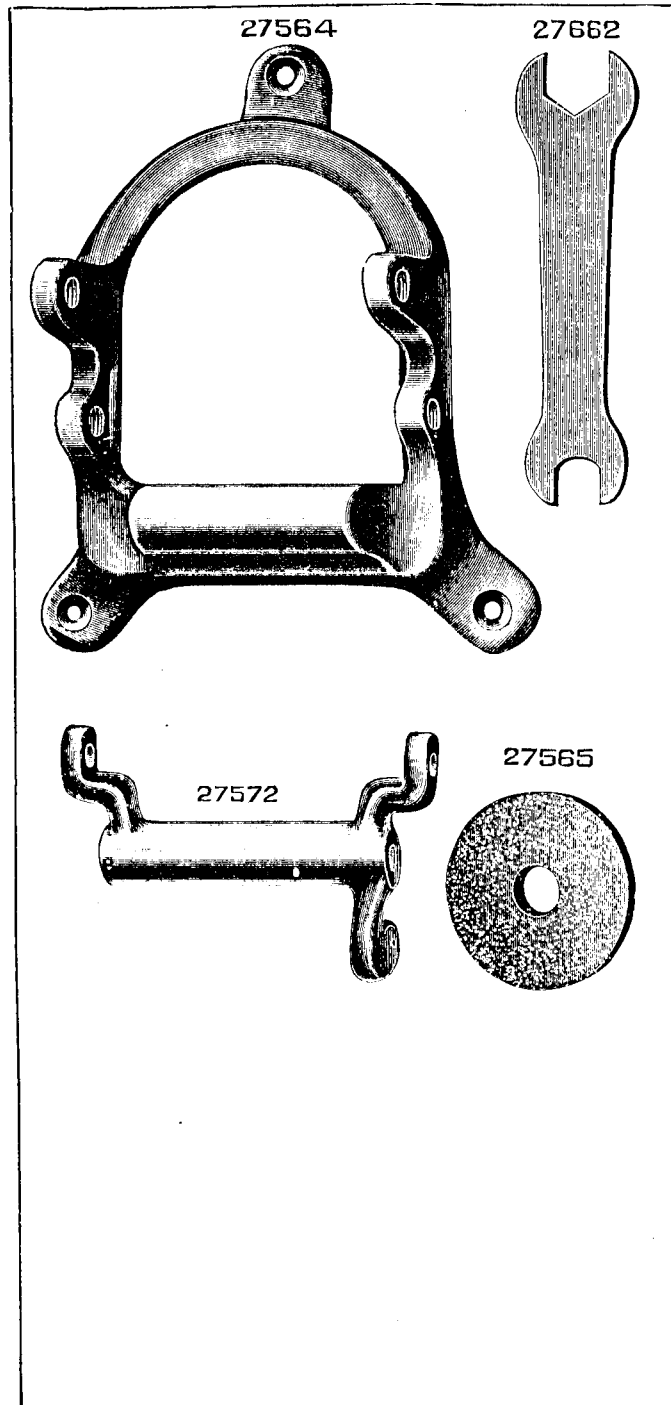
**ILLUSTRATIONS OF PARTS**

**FOR**

**MACHINES**

**Nos. 75-1 to 75-7**

PLATE 1104—ONE-HALF SIZE



From the library of: Diamond Needle Corp

PLATE 2837—ONE-FOURTH SIZE

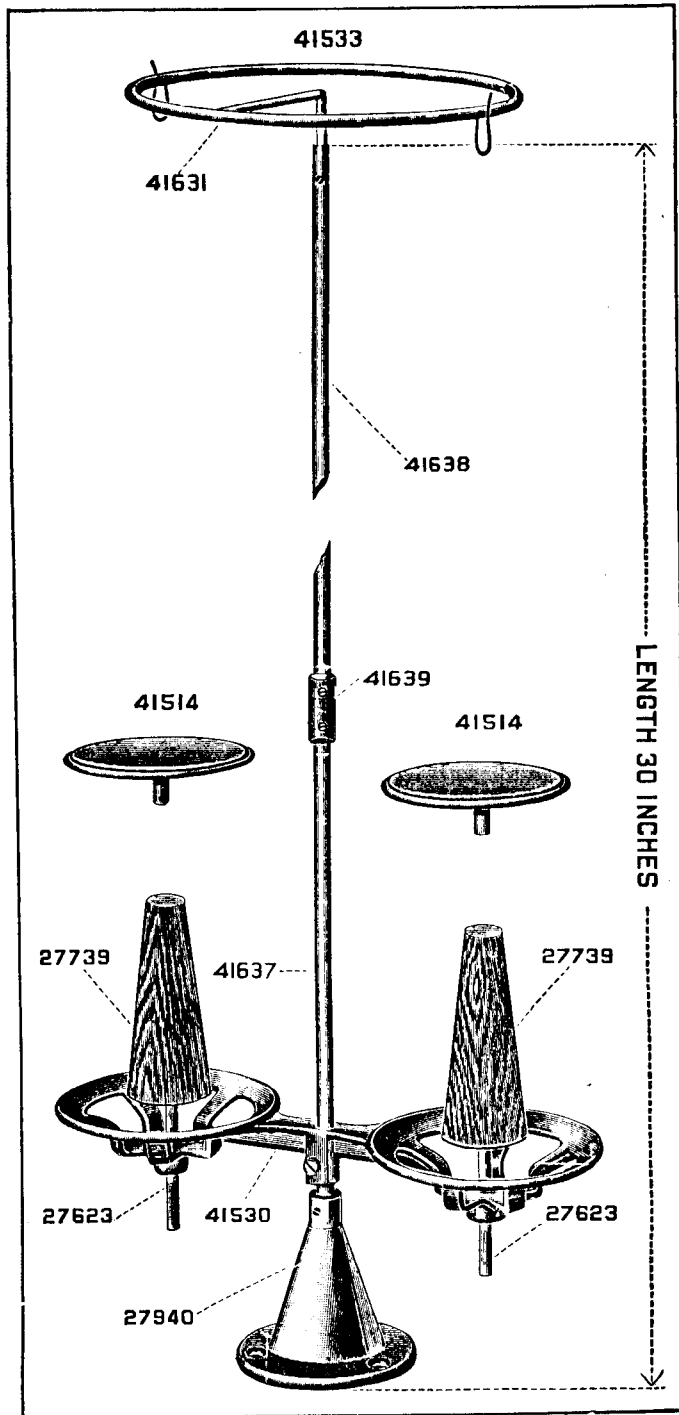
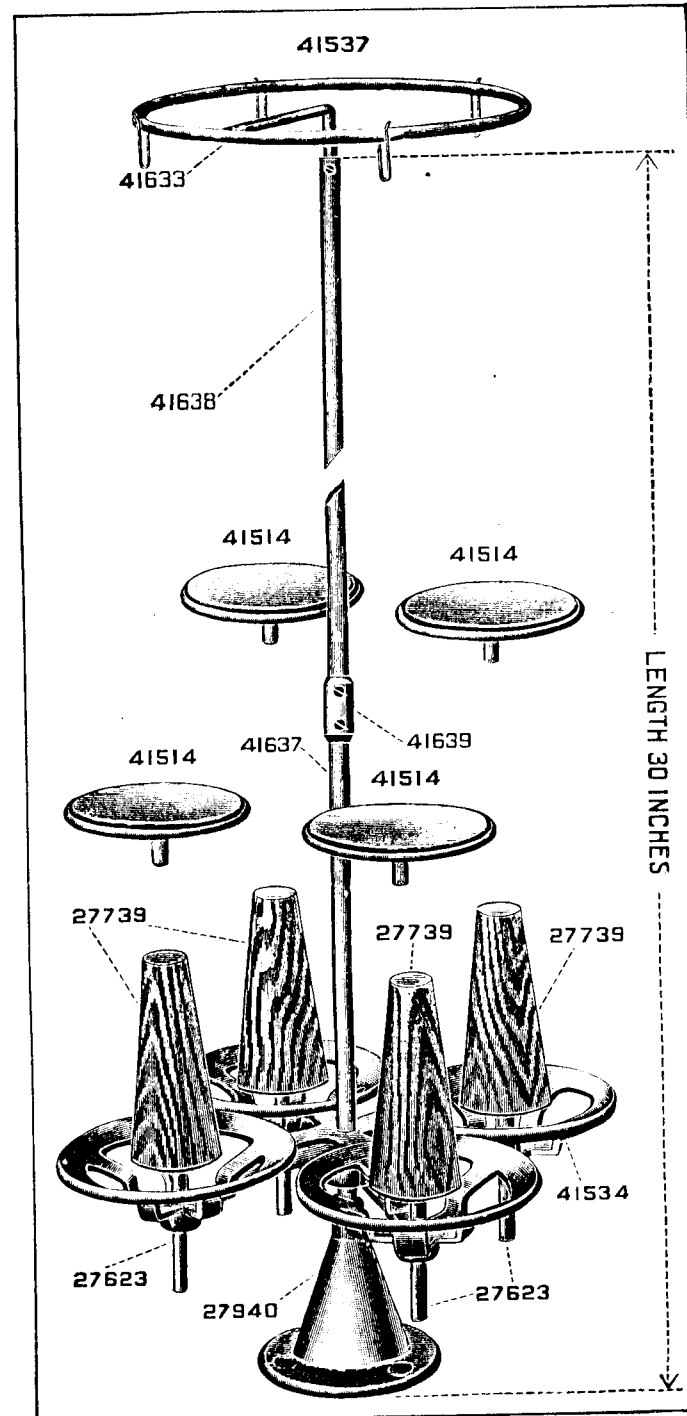


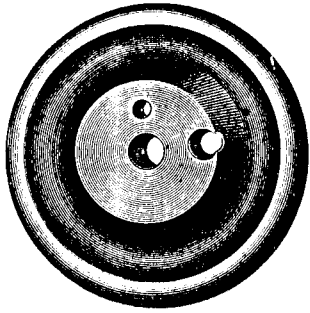
PLATE 2838—ONE-FOURTH SIZE



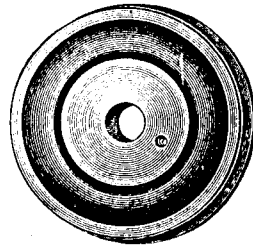
From the library of: Diamond Needle Corp

PLATE 3900—ONE-HALF SIZE

32026



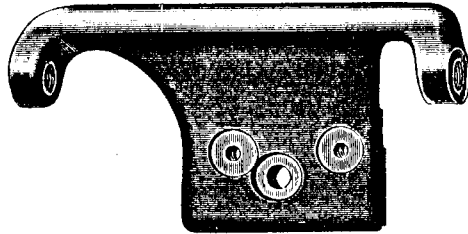
32027



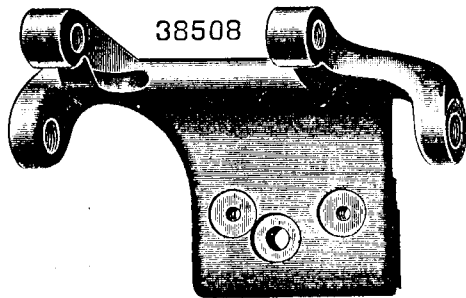
34114



38558



38508



38506

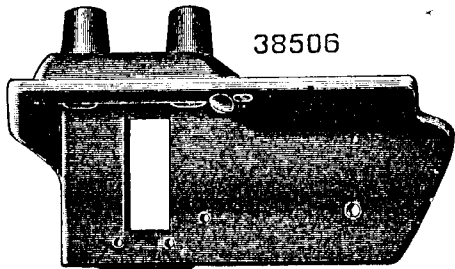
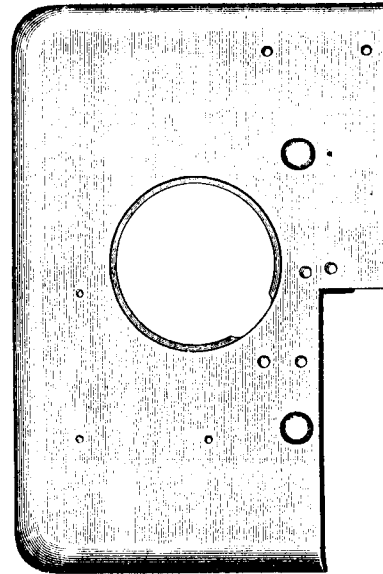


PLATE 3901—ONE-HALF SIZE

38556



38576

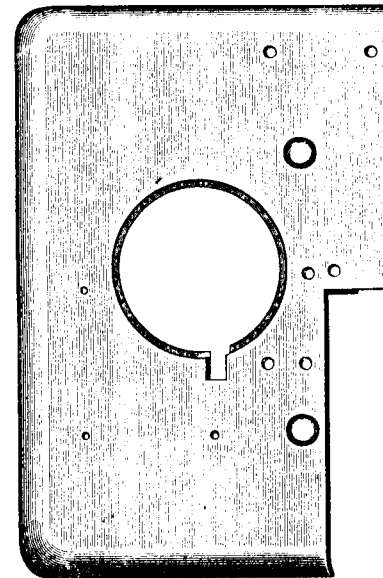




PLATE 3902—ONE-HALF SIZE

38503

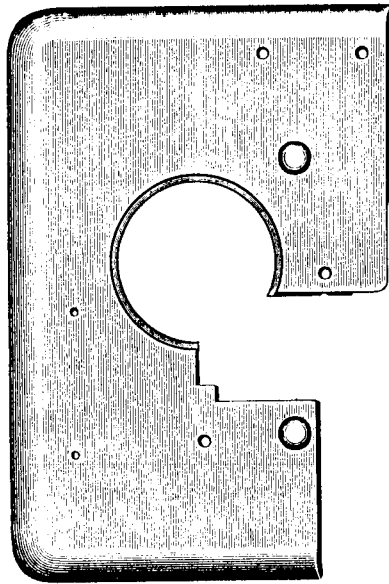
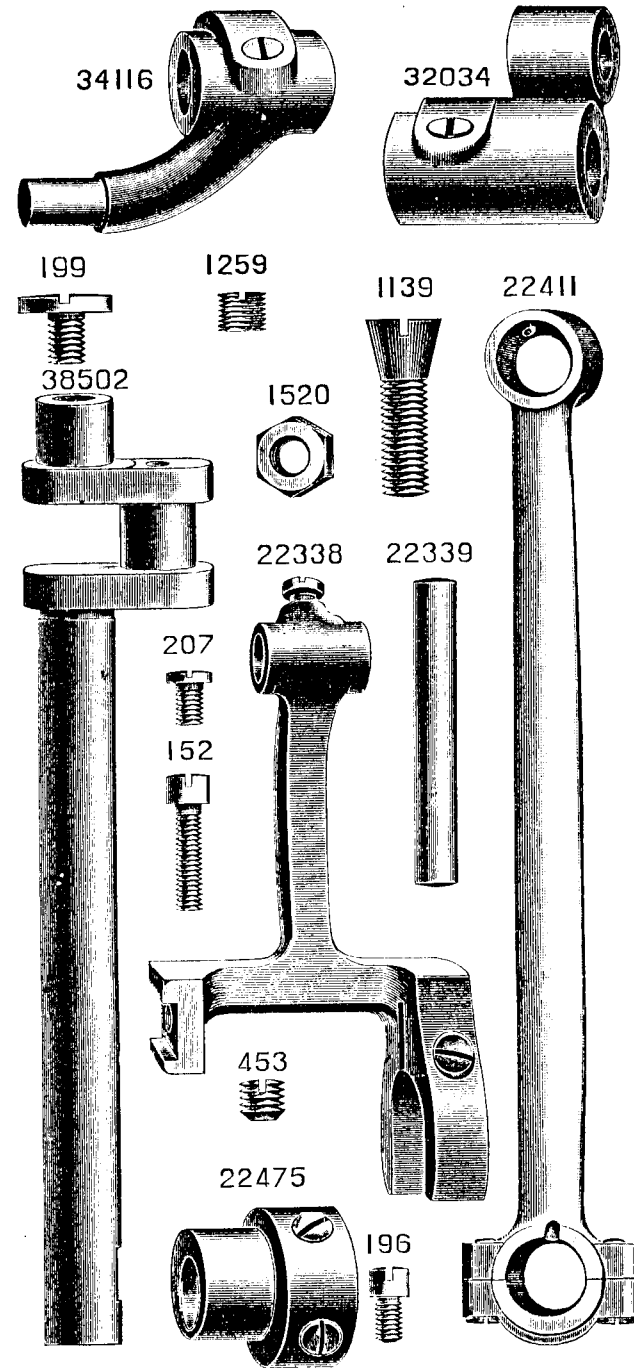


PLATE 3903—FULL SIZE



From the library of: Diamond Needle Corp

PLATE 3904—FULL SIZE

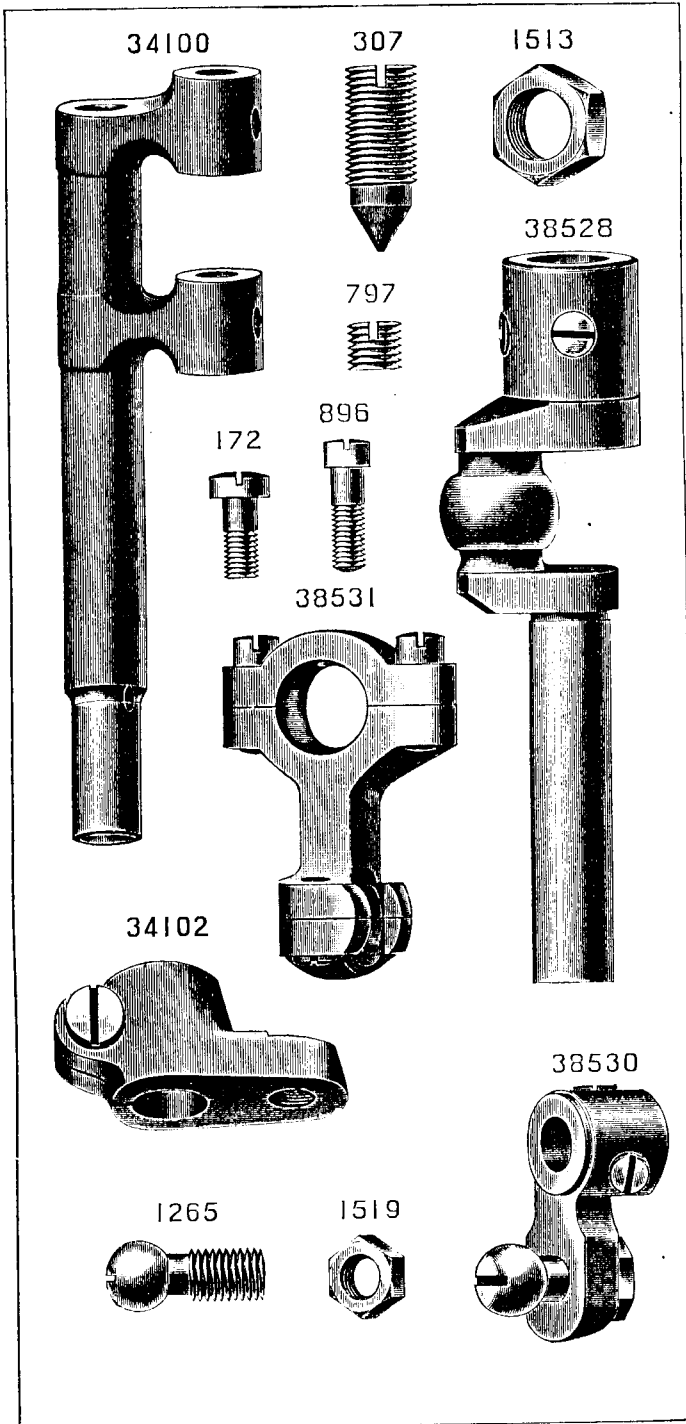
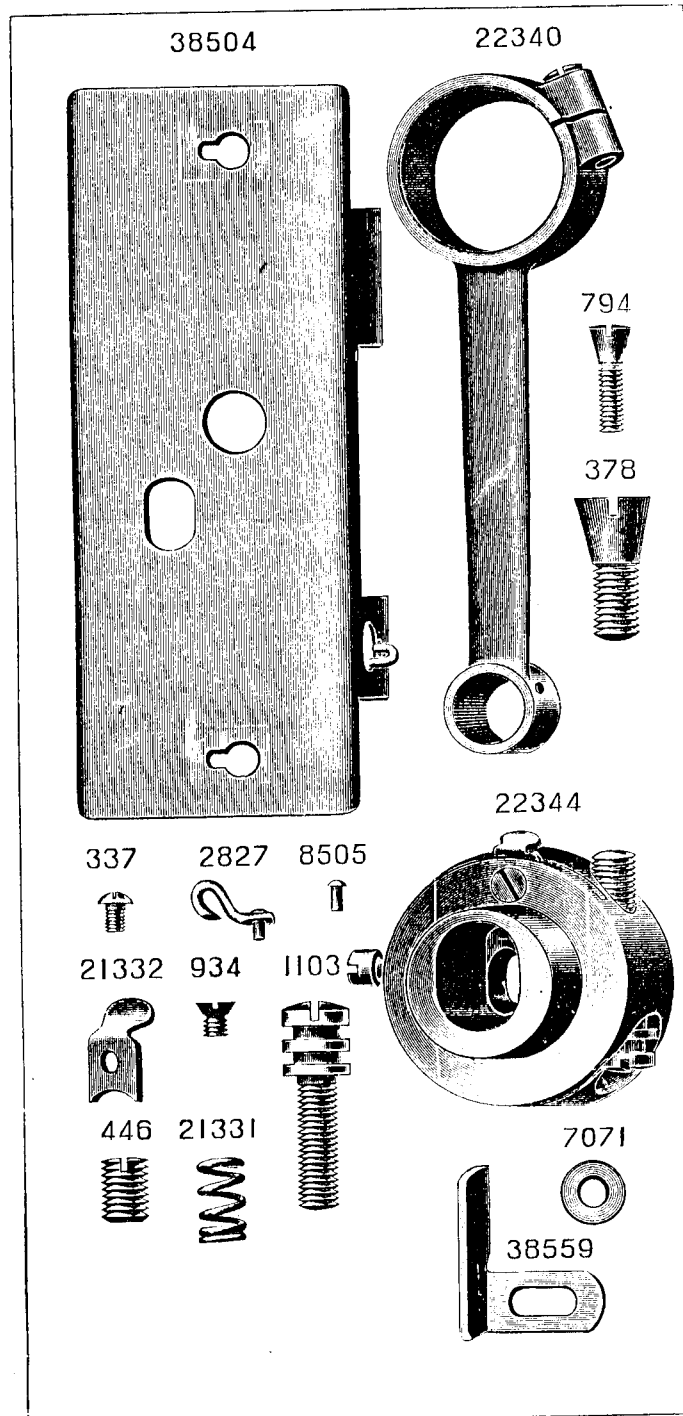


PLATE 3905—FULL SIZE



From the library of: Diamond Needle Corp

PLATE 3906—FULL SIZE

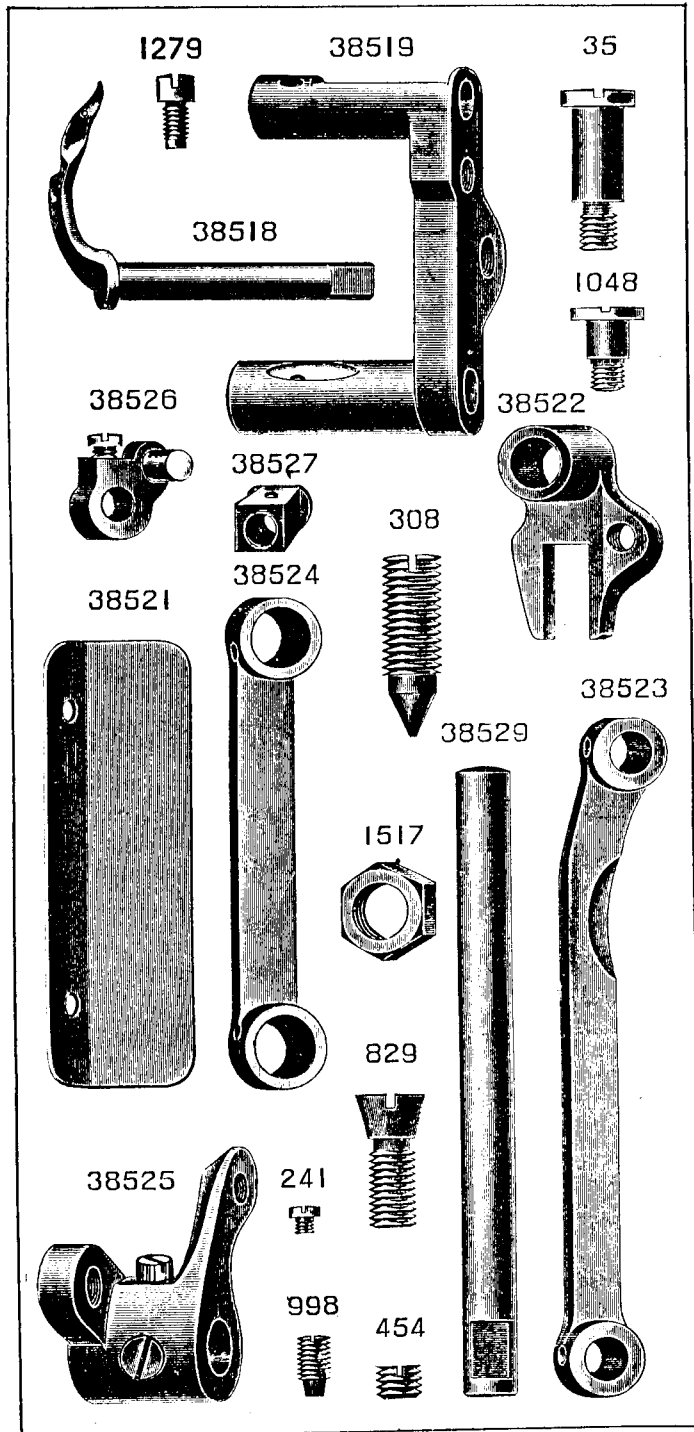


PLATE 3907—FULL SIZE

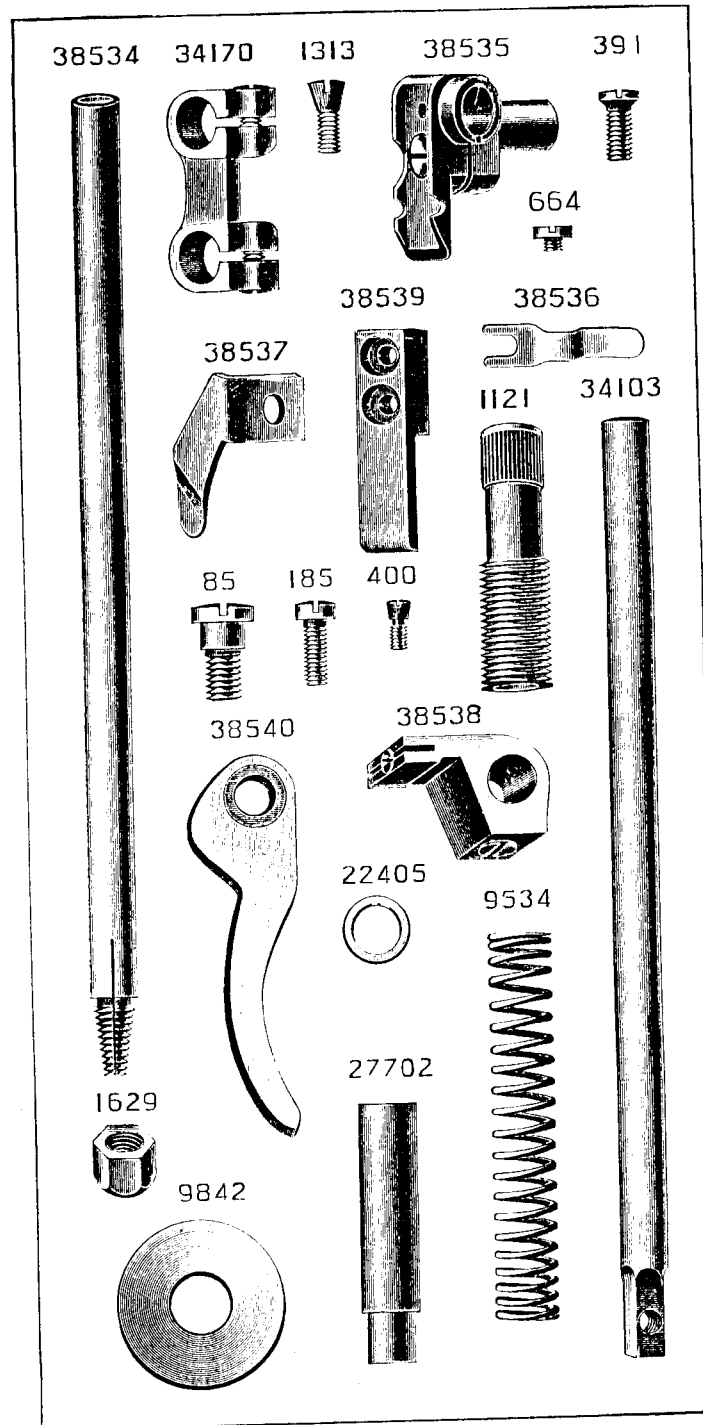


PLATE 3908—FULL SIZE

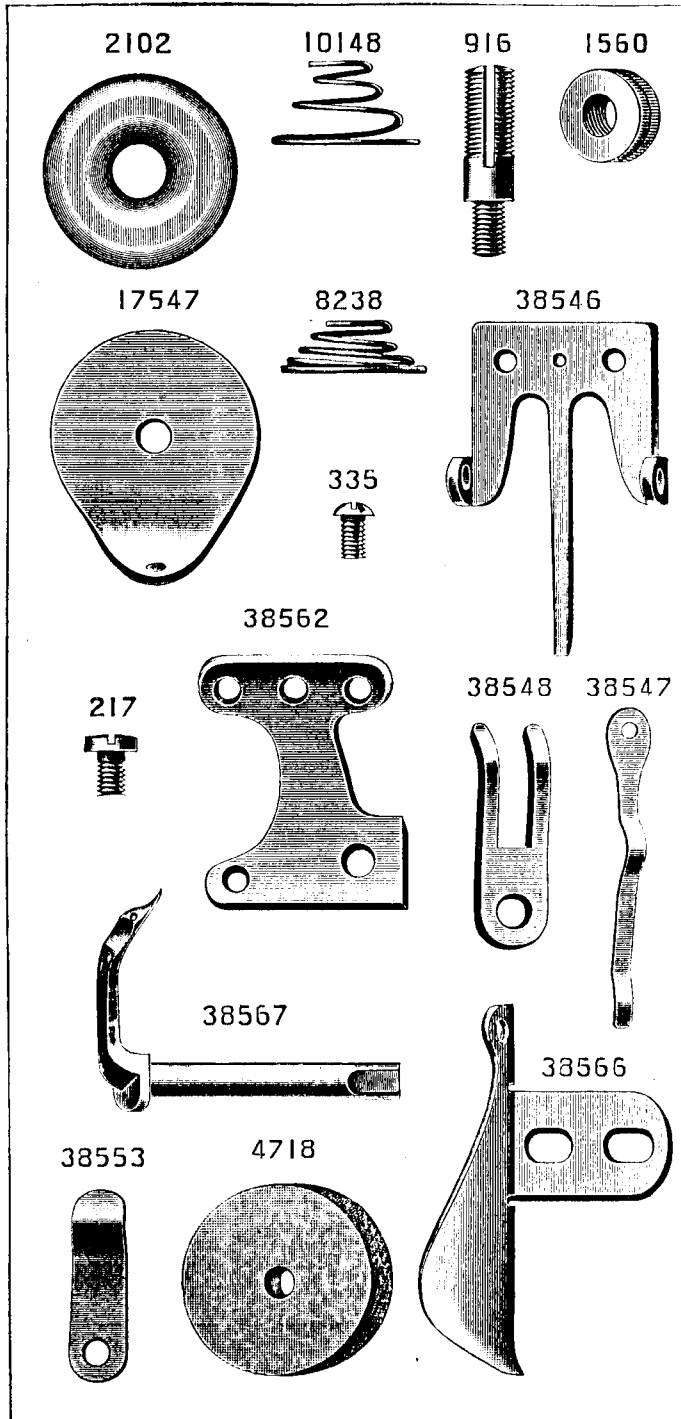
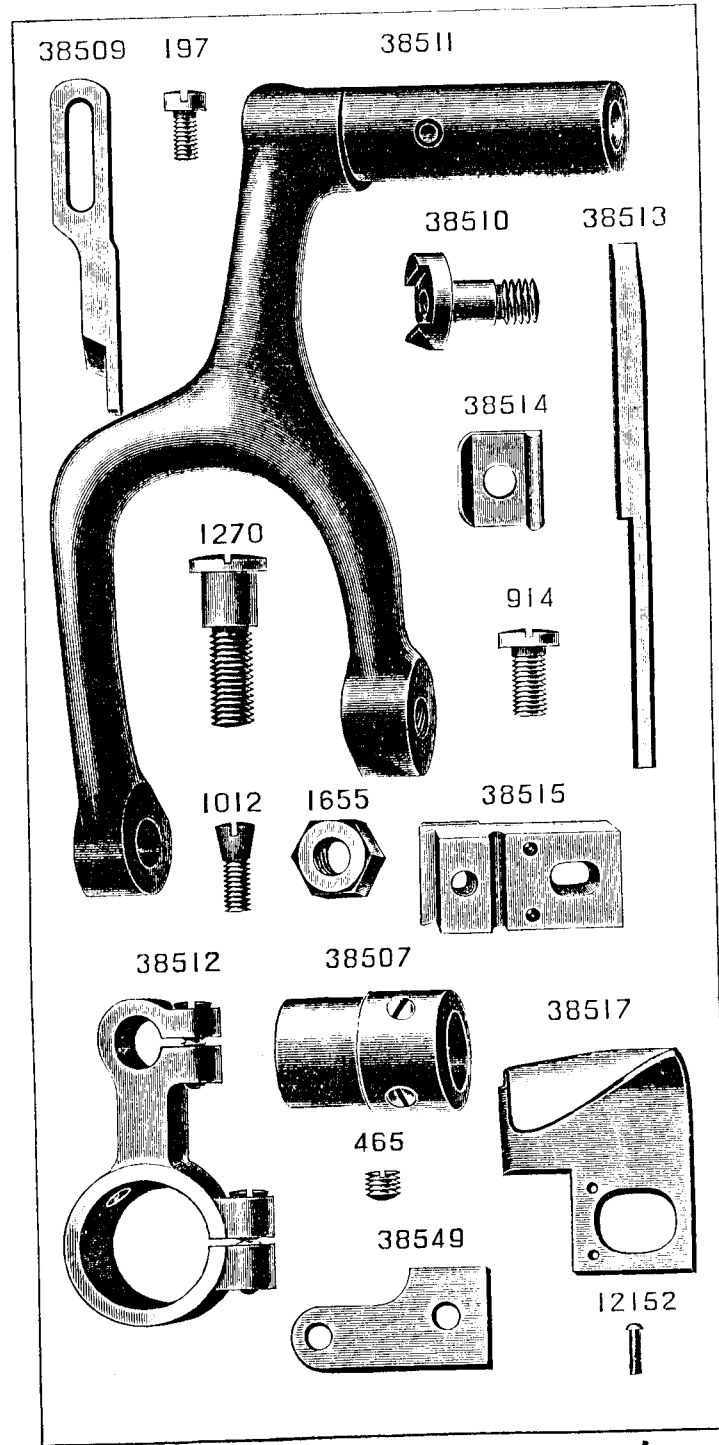


PLATE 3909—FULL SIZE



From the library of: Diamond Needle Corp

PLATE 3910—FULL SIZE

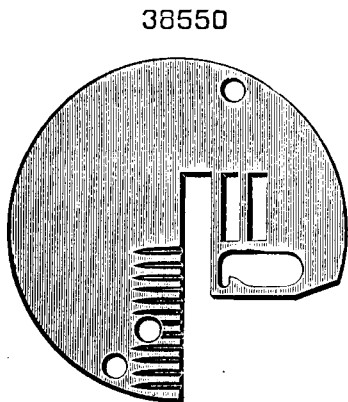
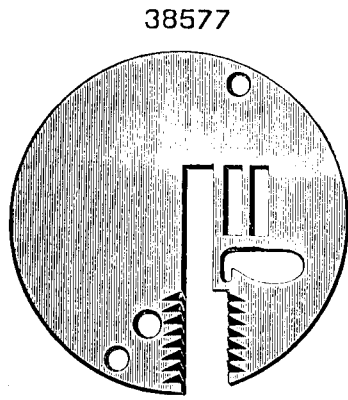
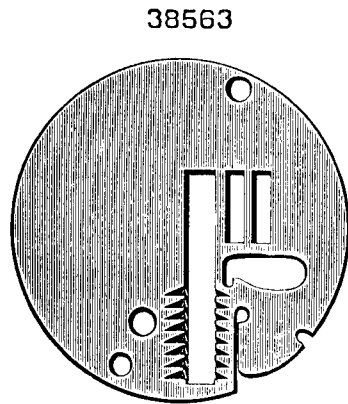
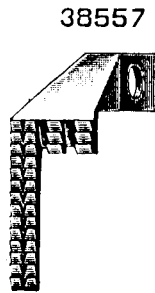


PLATE 3911—FULL SIZE

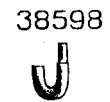
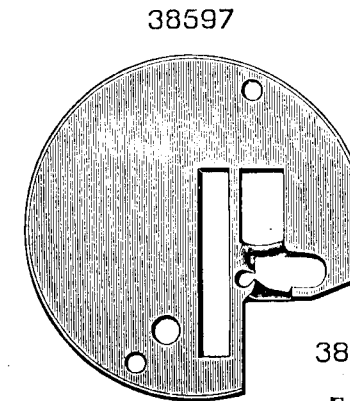
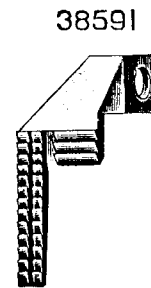
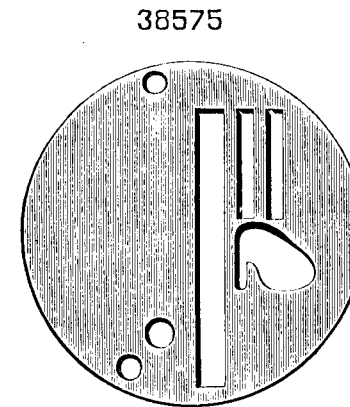
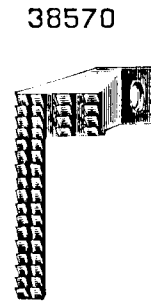
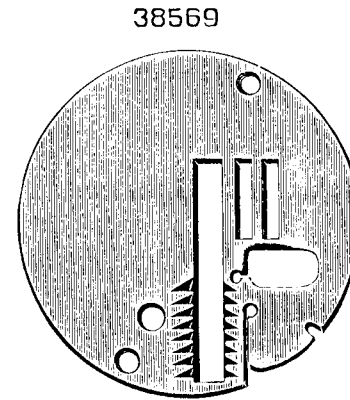
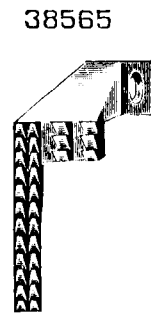


PLATE 3912—FULL SIZE

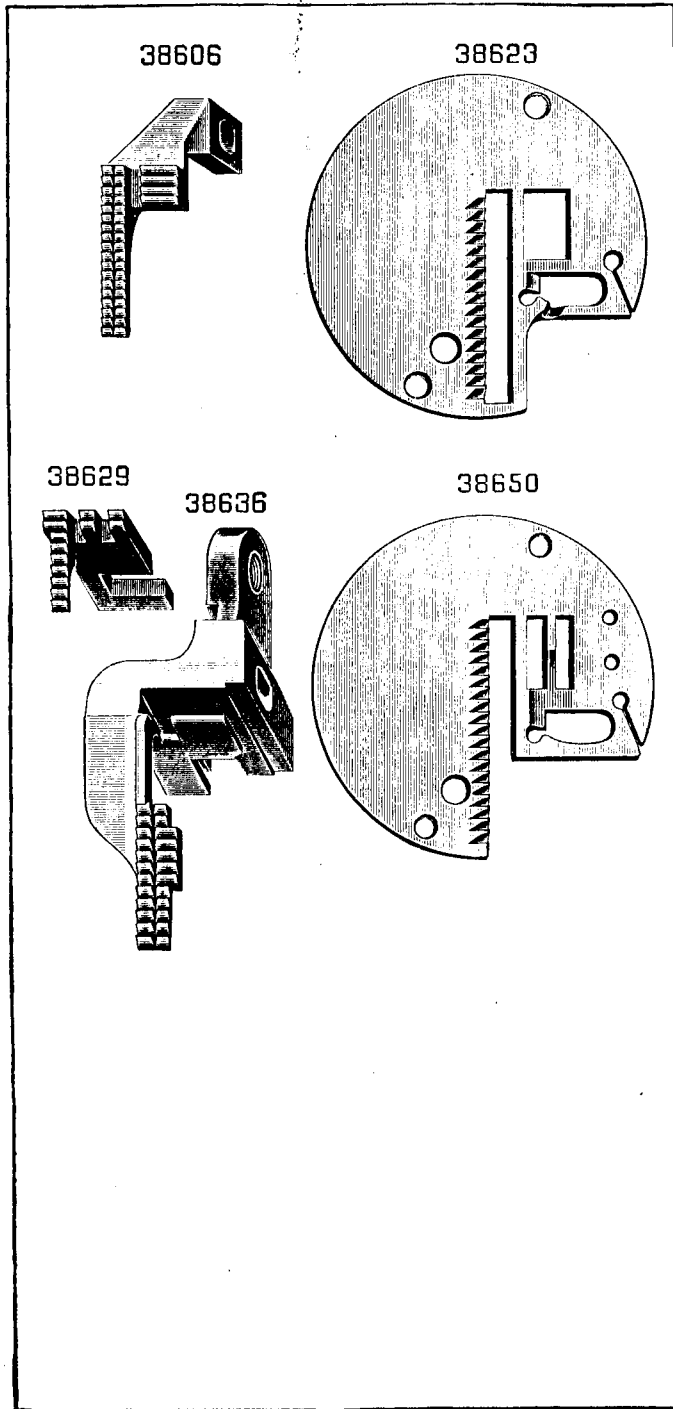


PLATE 3914—FULL SIZE

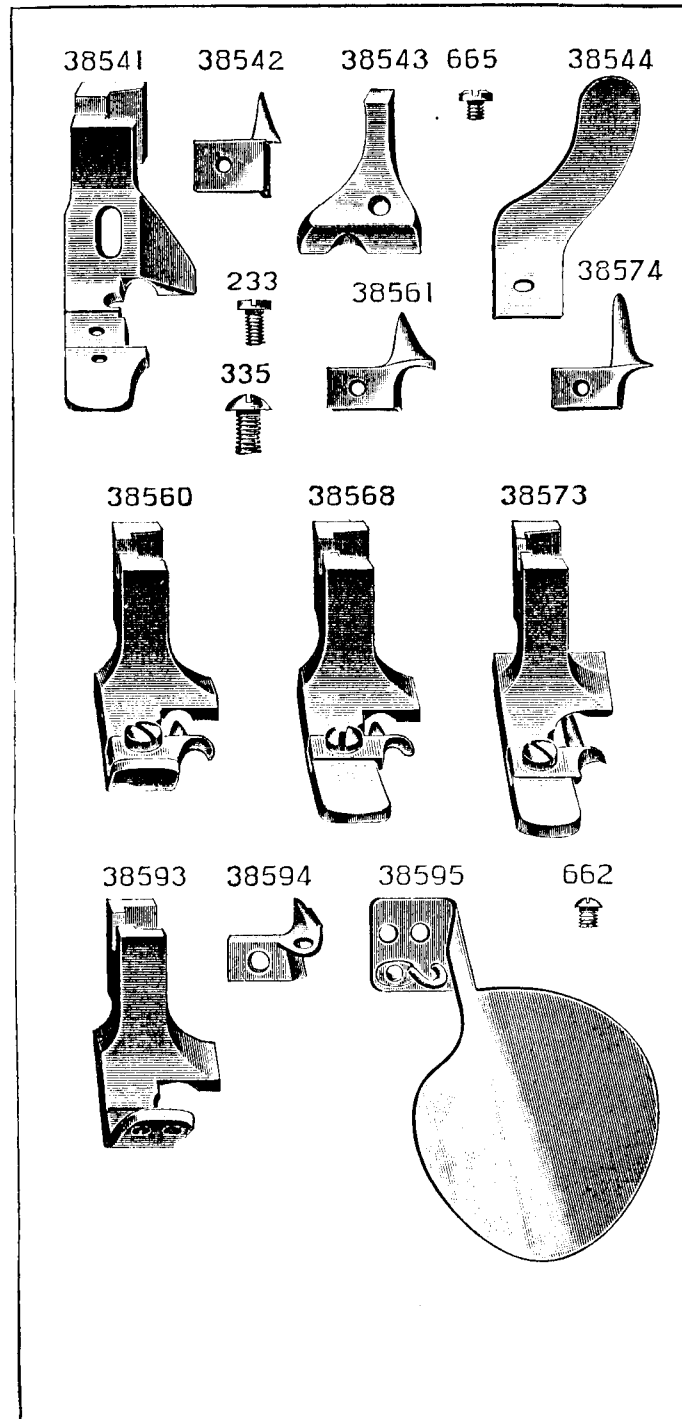


PLATE 3916—FULL SIZE

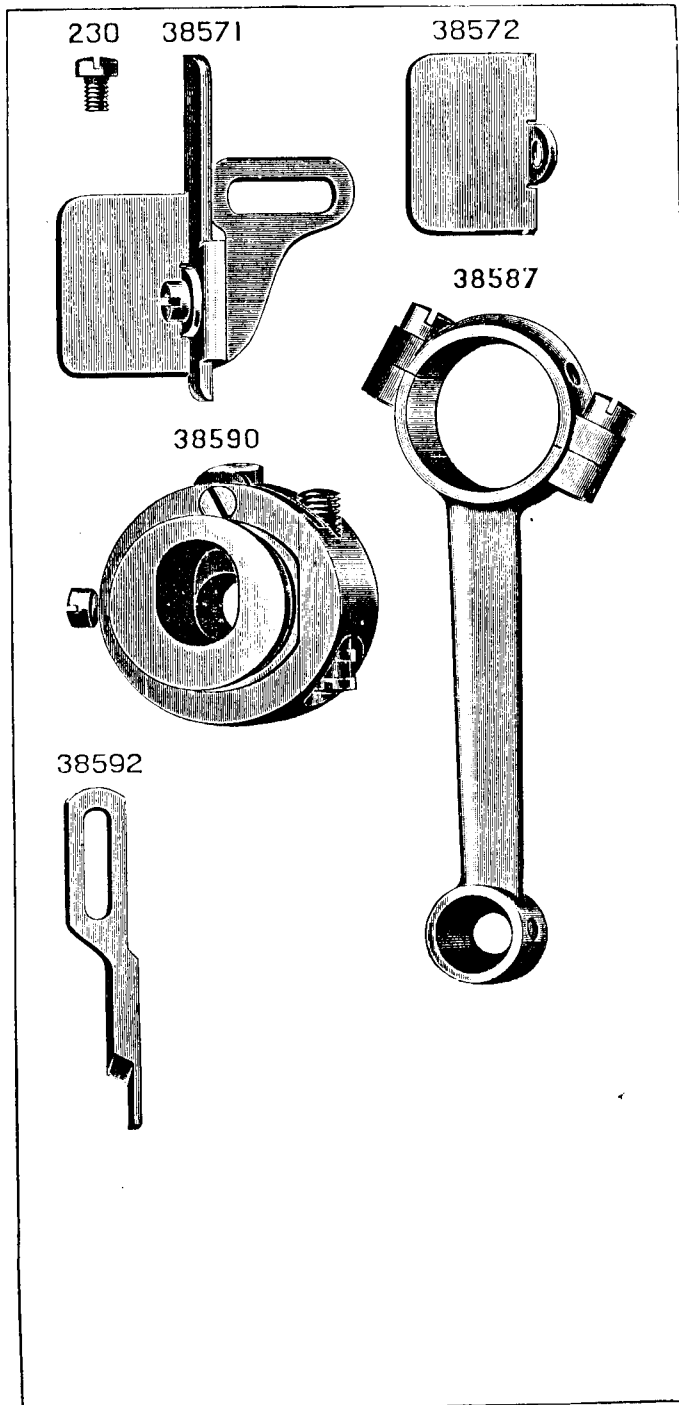
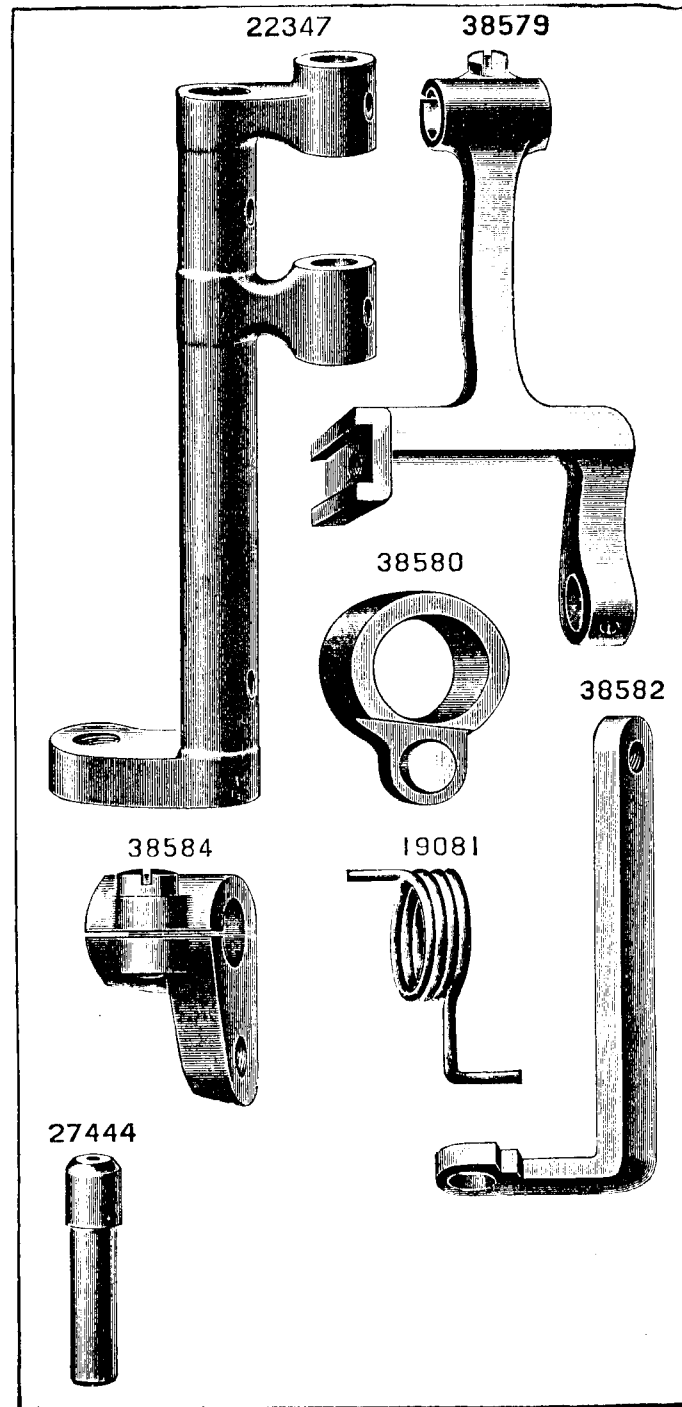


PLATE 3917—FULL SIZE



From the library of: Diamond Needle Corp

PLATE 3920—ONE-HALF SIZE

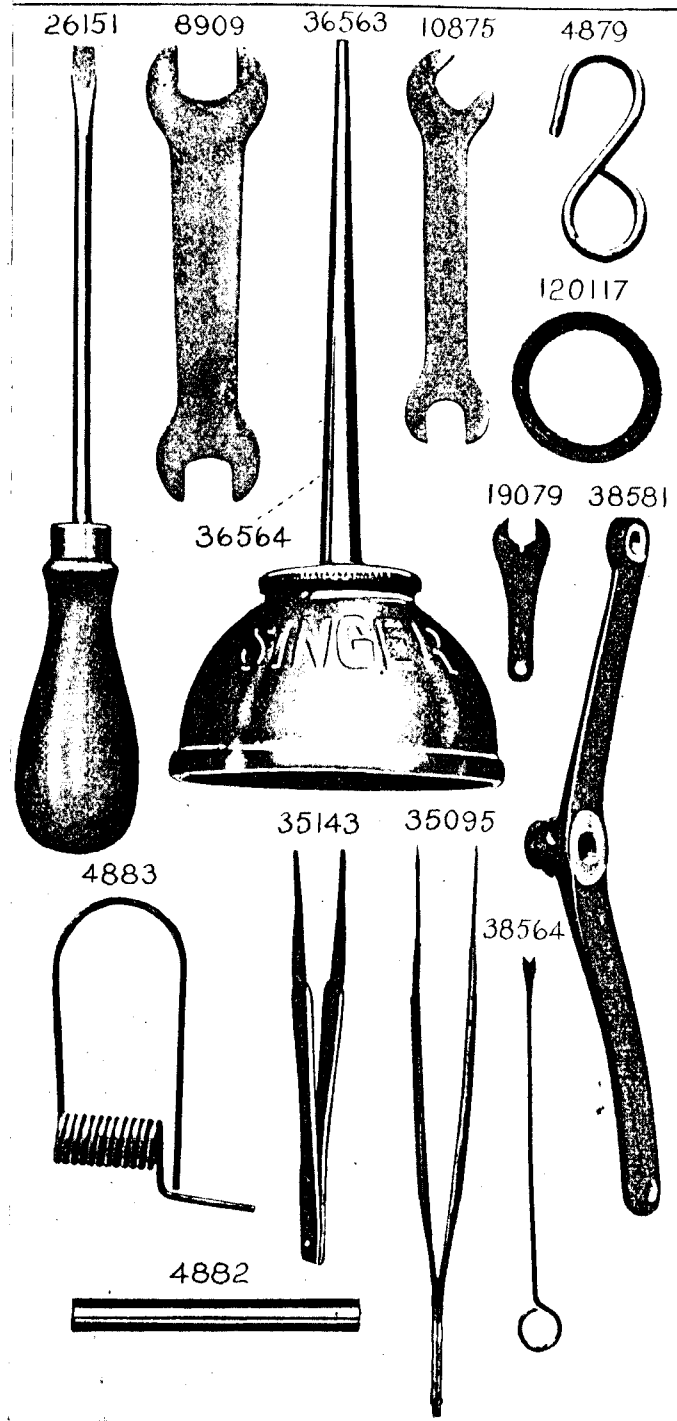
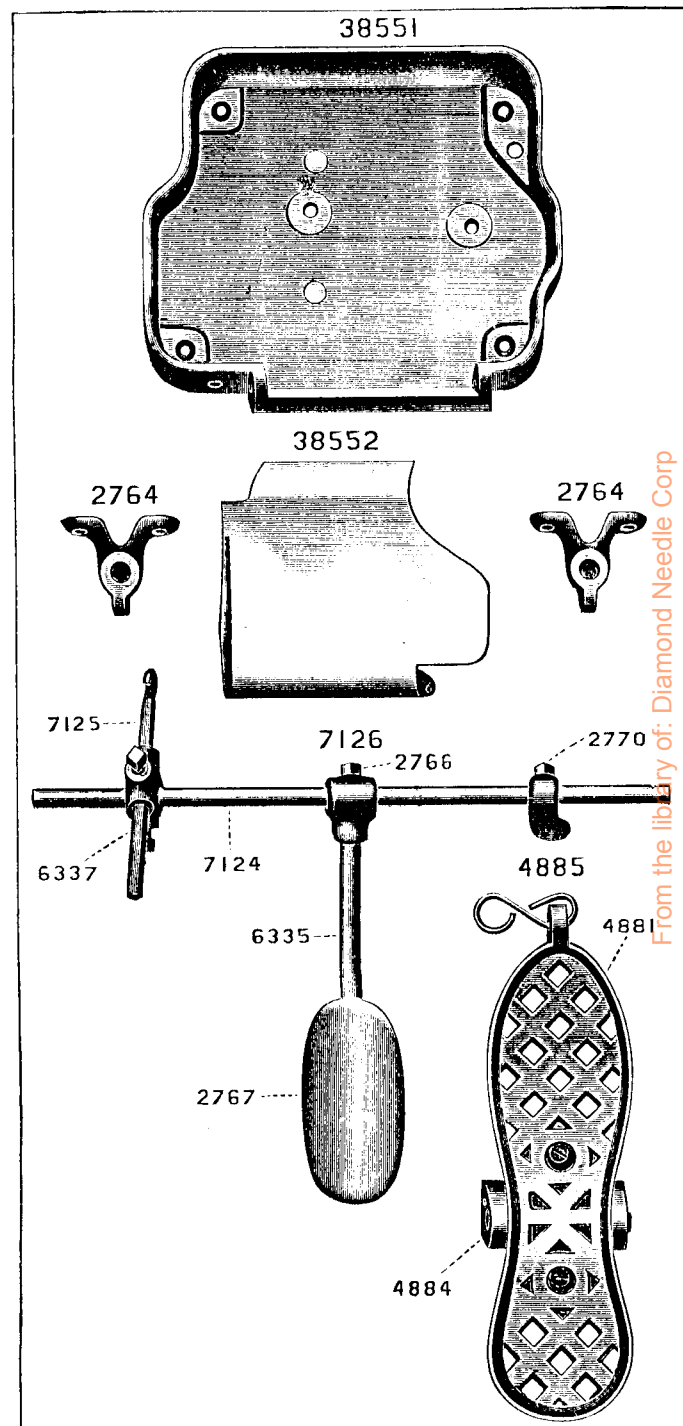


PLATE 3921—ONE-FOURTH SIZE



From the library of: Diamond Needle Corp



PLATE 3923—FULL SIZE

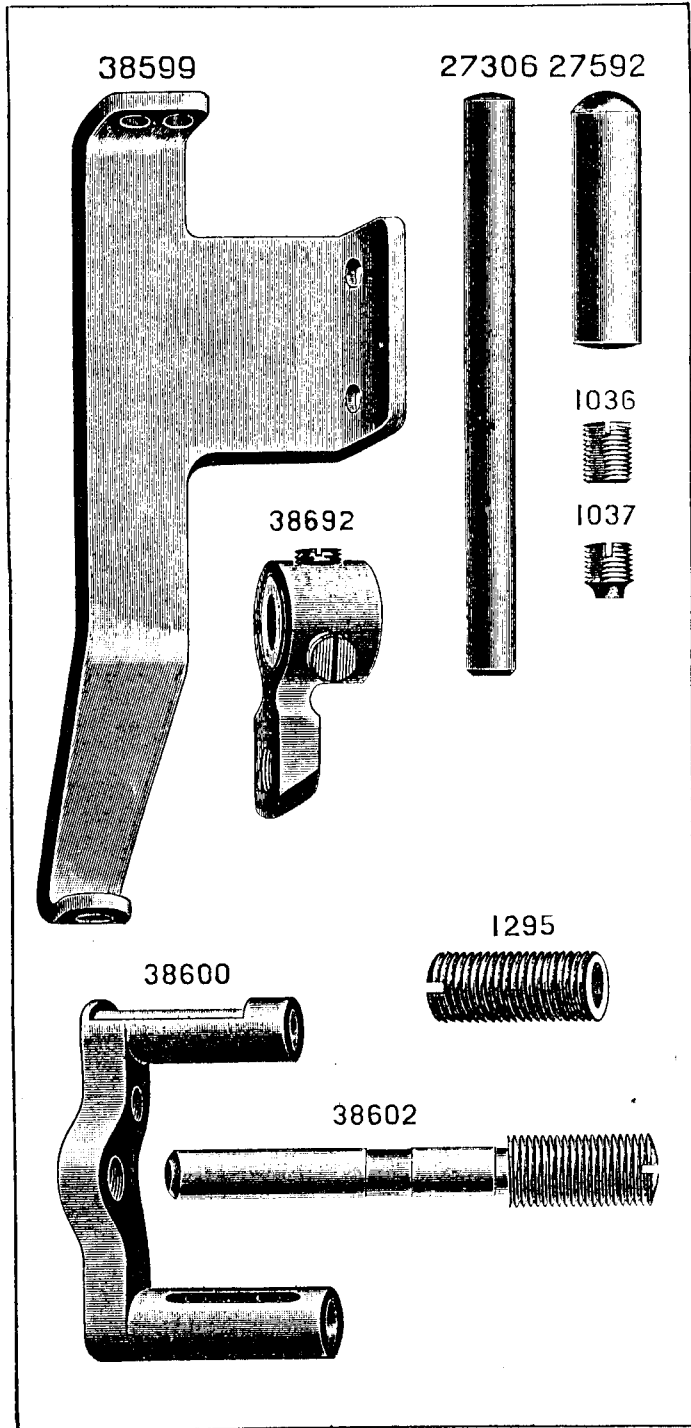


PLATE 3924—FULL SIZE

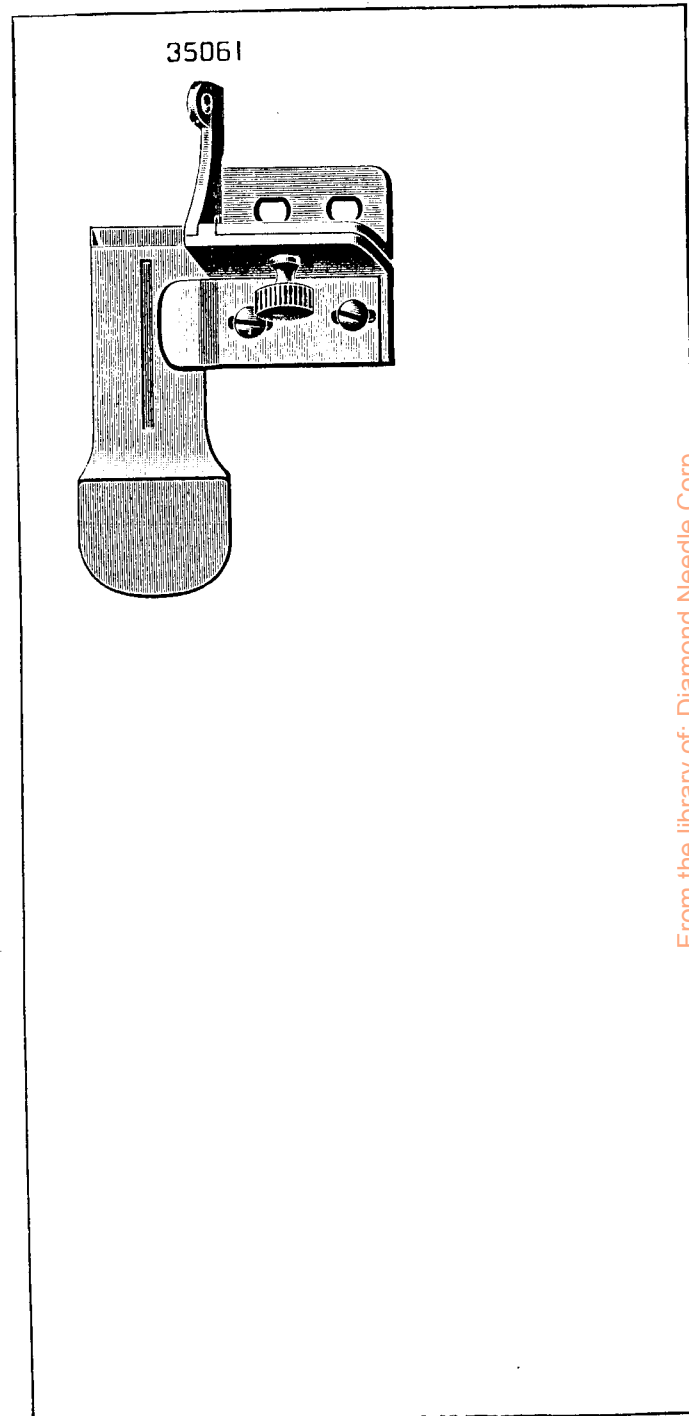
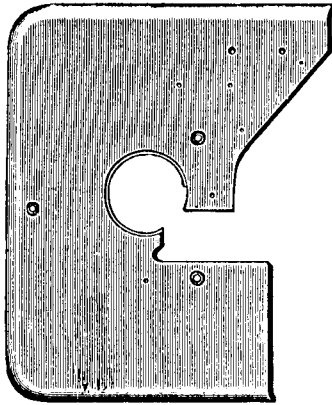
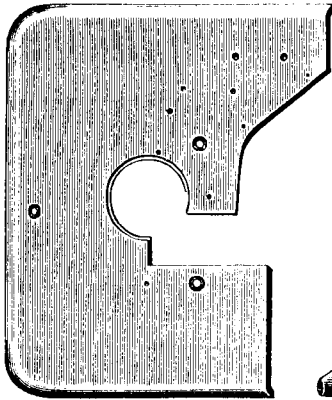


PLATE 3925—ONE-FOURTH SIZE

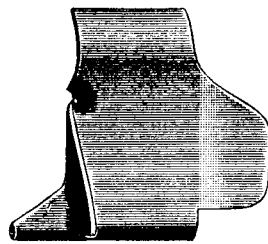
38604



38628



38625



38624

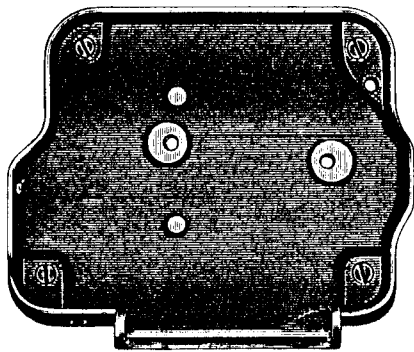
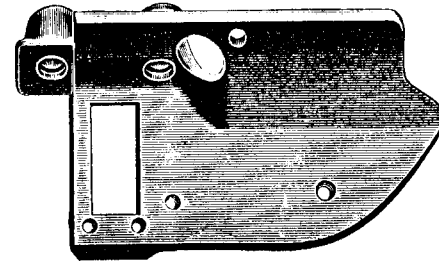
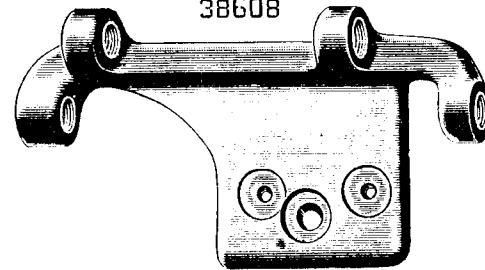


PLATE 3926—ONE-HALF SIZE

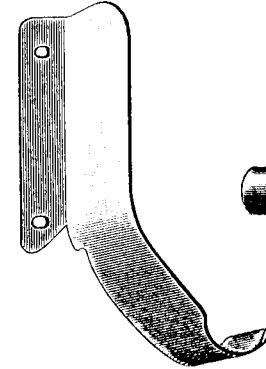
38607



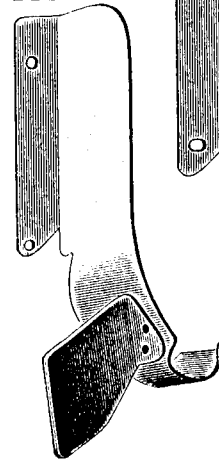
38608



38652



38611



38610

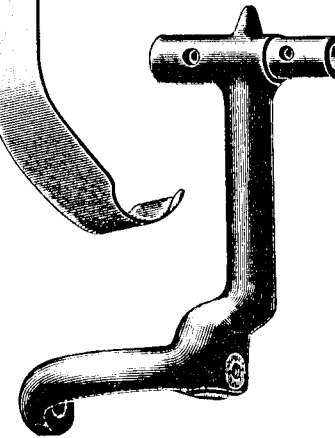


PLATE 3927—FULL SIZE

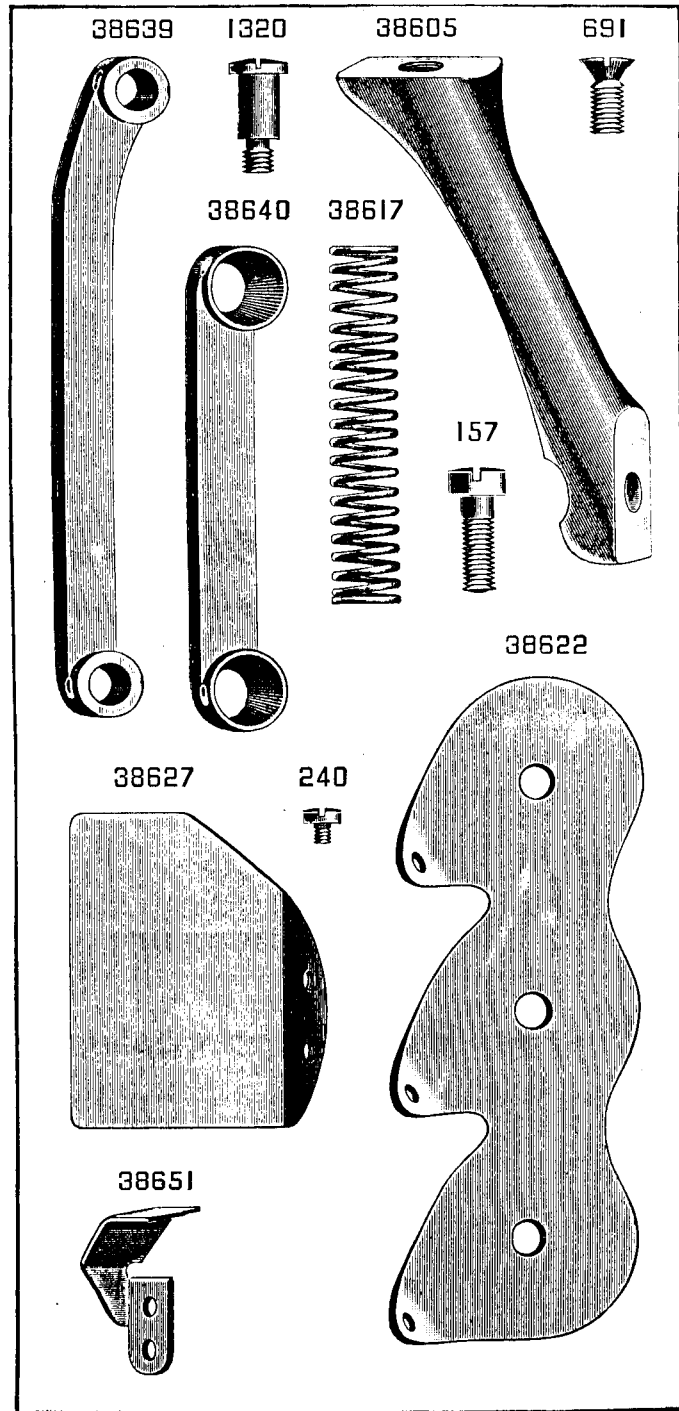
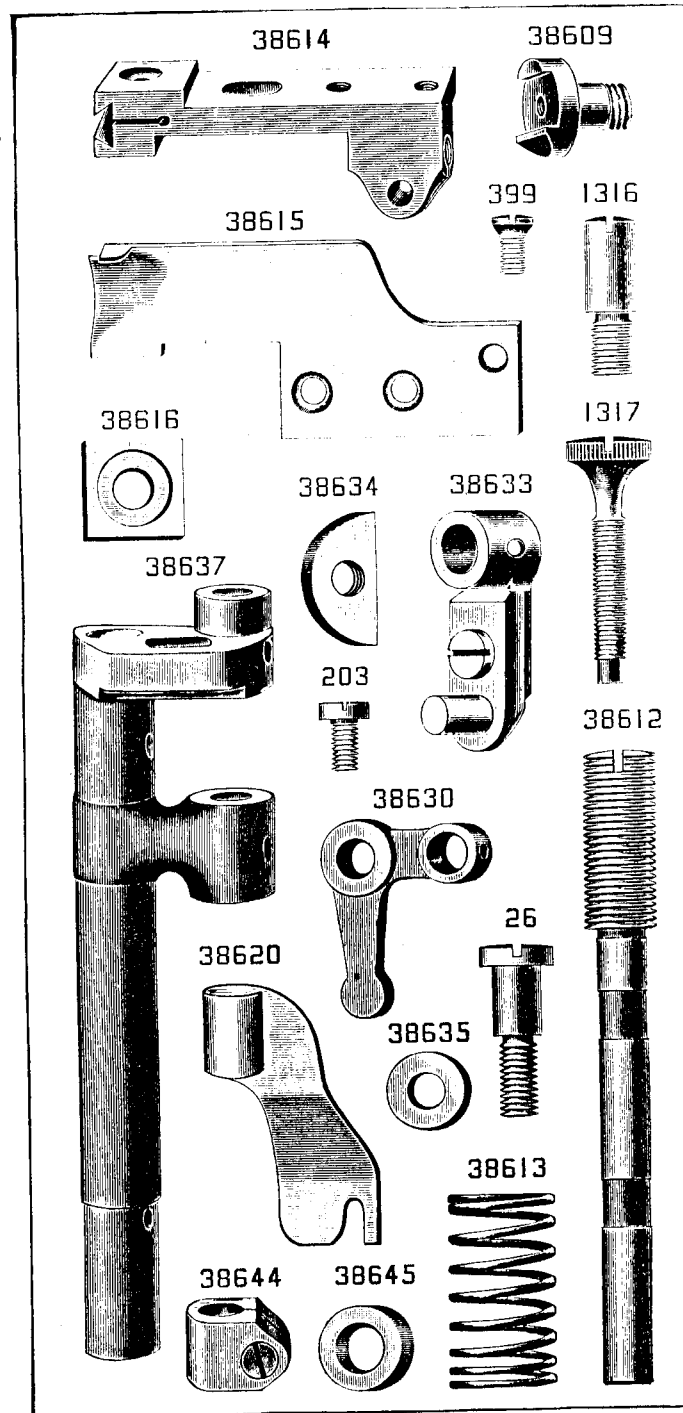


PLATE 3928—FULL SIZE



From the library of: Diamond Needle Corp

PLATE 3929—FULL SIZE

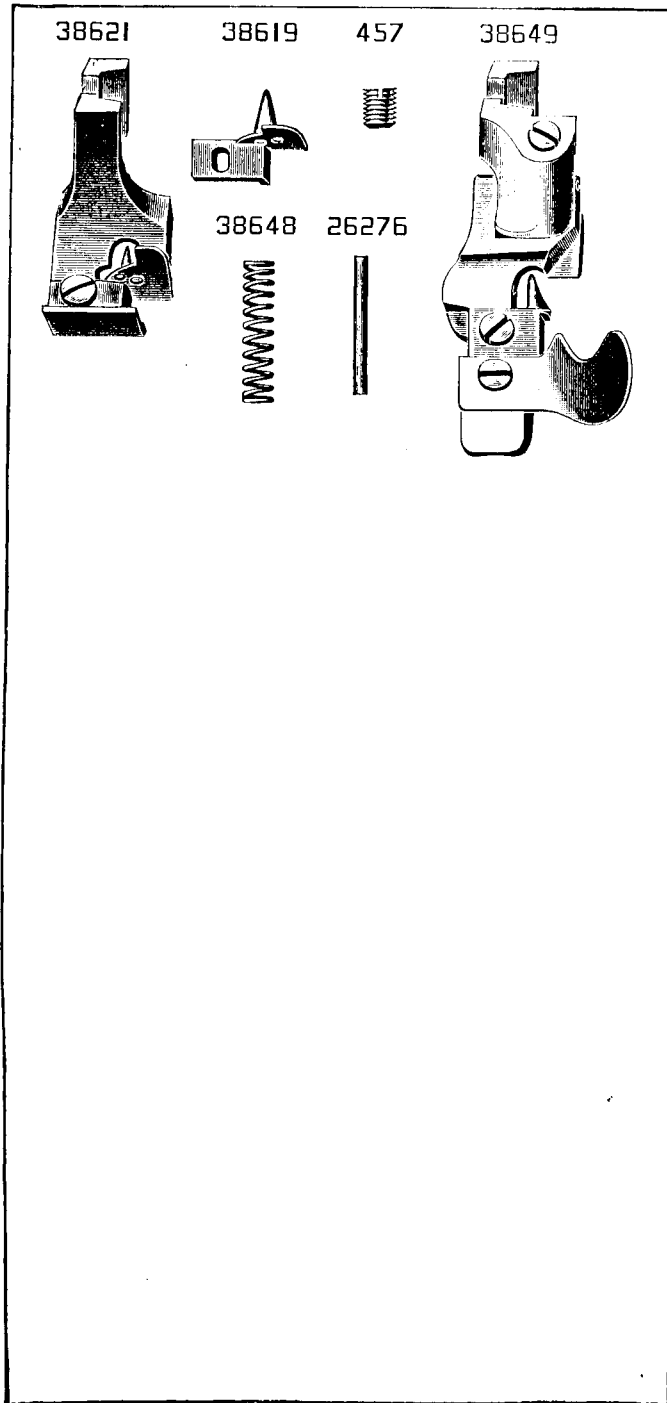


PLATE 3930—FULL SIZE

